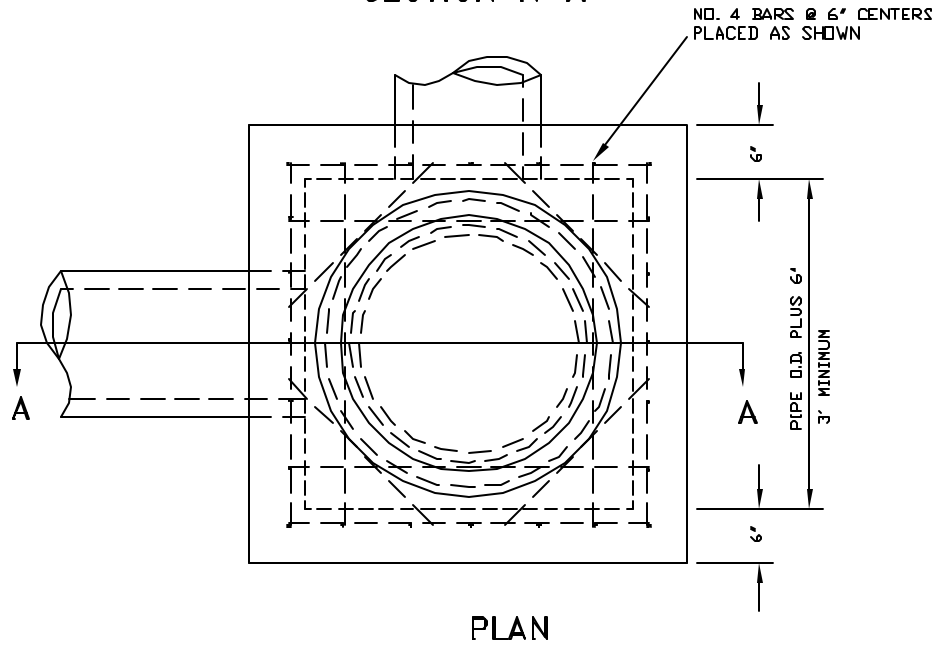
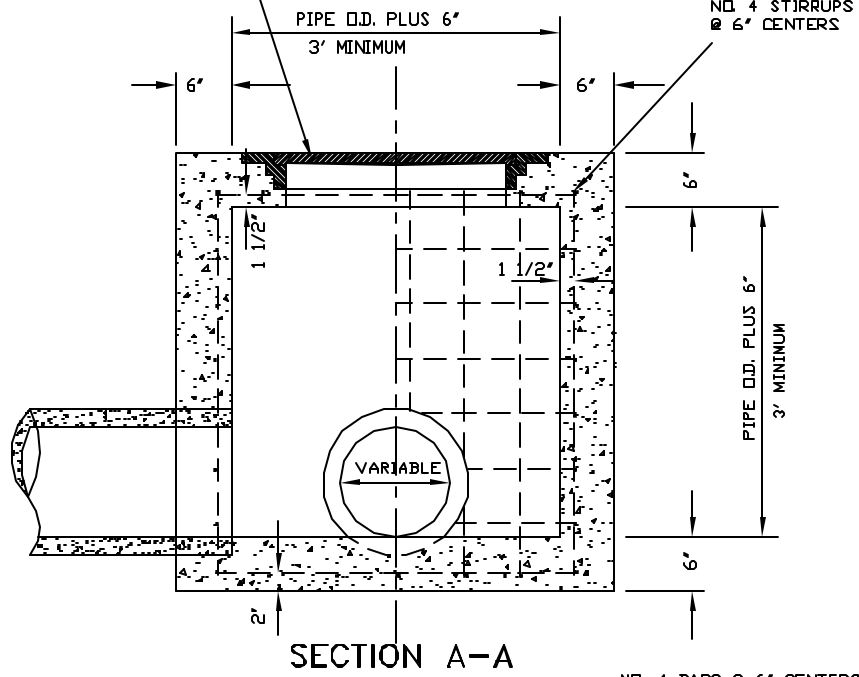


USE DEETER NO. 1052
MANHOLE COVER & OR
APPROVED EQUAL



REVISED 9/9/81, 9/11/84

CITY OF
GRAND ISLAND
PUBLIC WORKS DEPARTMENT

DATE: FEB. 1964
DRAWN BY J.V.N.
APPVD. BY

**JUNCTION
BOX**

**PLAN
128**