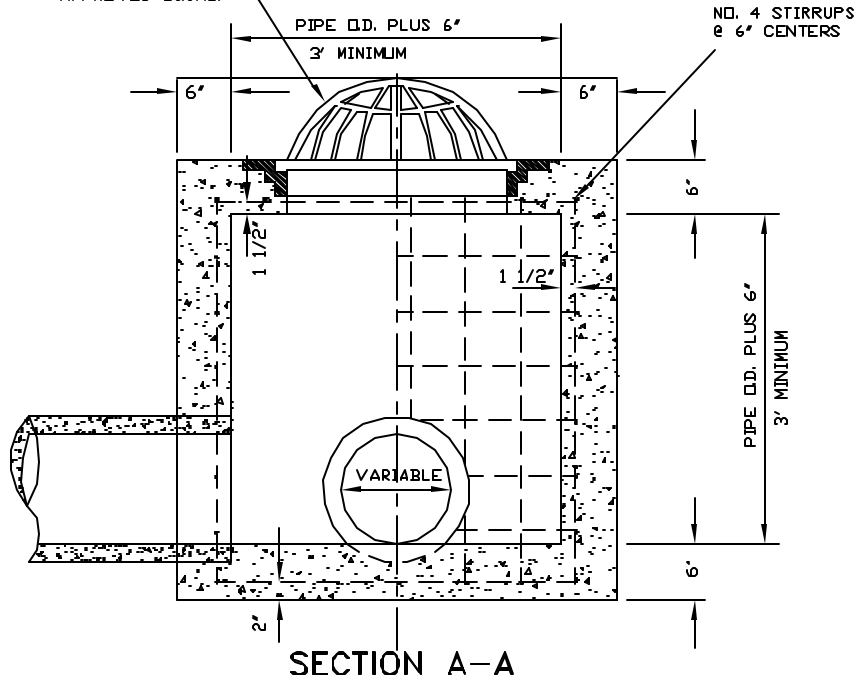
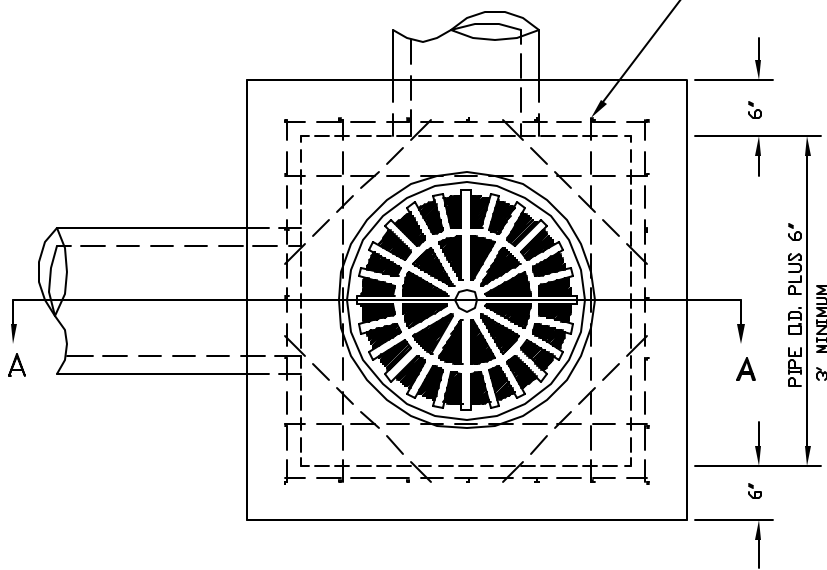


USE DEETER NO. 4495
MANHOLE COVER (OR
APPROVED EQUAL)



SECTION A-A

NO. 4 BARS @ 6" CENTERS
PLACED AS SHOWN



PLAN

REVISED MARCH 24, 1989

CITY OF
GRAND ISLAND
PUBLIC WORKS DEPARTMENT

DATE: FEB. 1964
DRAWN BY L.D.C.
APPVD. BY

JUNCTION BOX
WITH
BEEHIVE INLET

PLAN
149