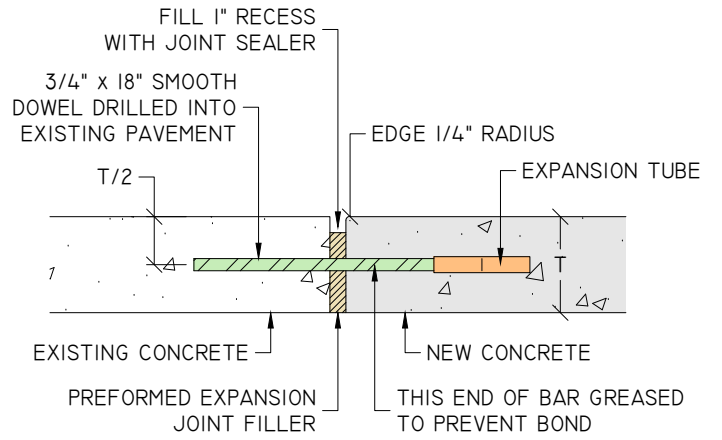
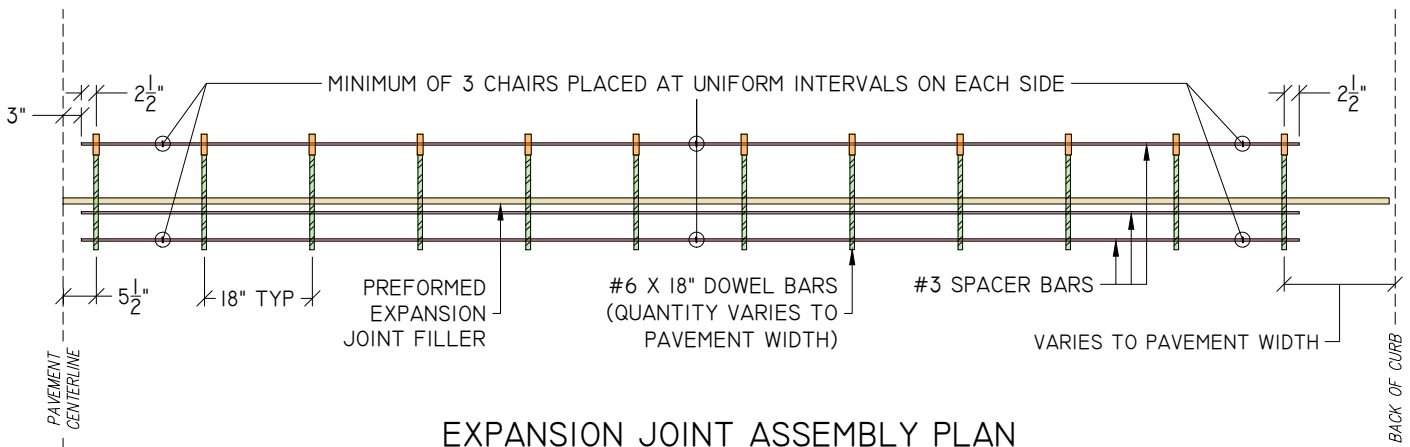


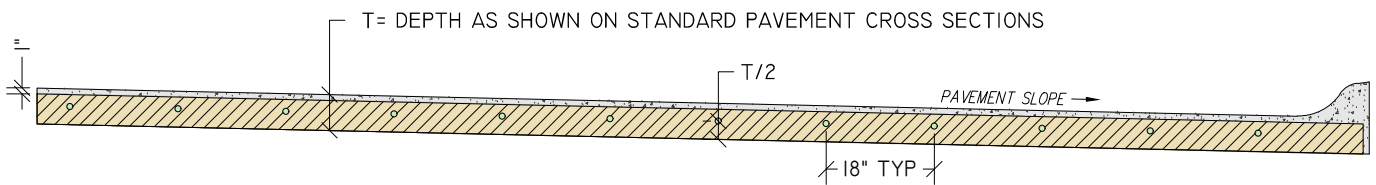
EXPANSION JOINT



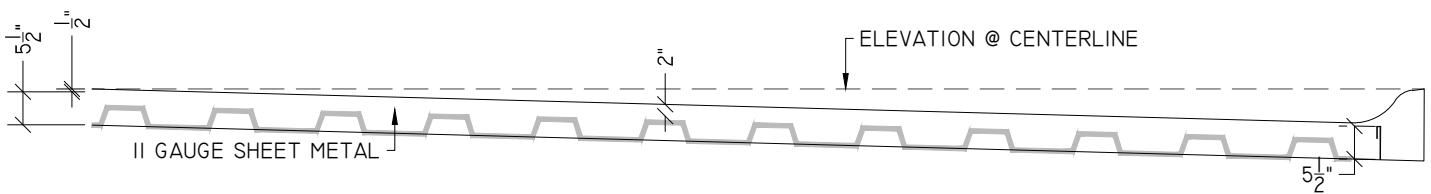
EXPANSION JOINT



EXPANSION JOINT ASSEMBLY PLAN



DETAIL FOR CUTTING PREFORMED EXPANSION JOINT FILLER



METAL EXPANSION JOINT HOLDER

NOTES:
 I. CONSTRUCTION OF THIS JOINT & SAWING SHALL BE INCIDENTAL TO PAVING

	EXPANSION JOINT DETAILS CITY STANDARD PLANS & SPECIFICATIONS GRAND ISLAND, NEBRASKA	PLAN	211
		SHEET	1 OF 1
		DRAWN BY: LDC	DATE: APR 1971
		REVISED BY: MLS	DATE: JAN 2021
		APPROVED BY: KJK	DATE: APR 2021