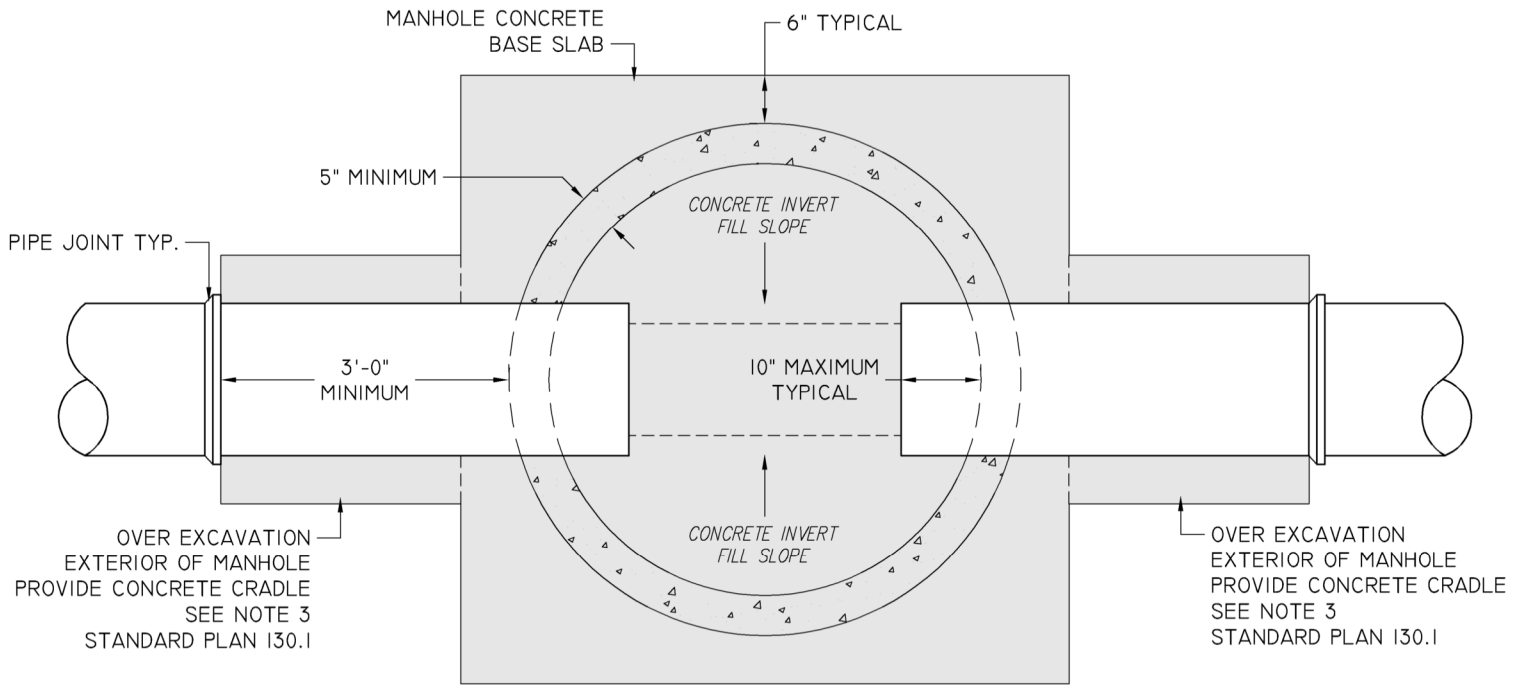


NOTE:
 1. STANDARD MANHOLE RING AND COVER TO BE DEETER #1030 WITH MACHINED BEARING SURFACE OR APPROVED EQUAL

STANDARD SANITARY SEWER MANHOLE RING & COVER DETAILS



SANITARY SEWER MANHOLE BASE PLAN VIEW



STANDARD SANITARY SEWER
 MANHOLE DETAILS - CASTINGS AND BASE
 CITY STANDARD PLANS & SPECIFICATIONS
 GRAND ISLAND, NEBRASKA

PLAN	130.5	
SHEET	5	OF 5
DRAWN BY:	MLS	DATE: 2014
REVISED BY:	RLS	DATE: 11.2023
APPROVED BY:	DATE:	