

# 115/13.8kV

## SUBSTATION "J"

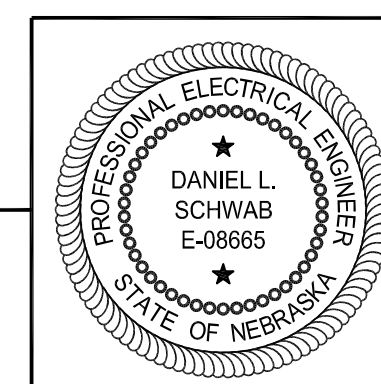
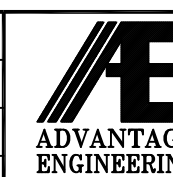
### GRAND ISLAND, NEBRASKA

#### DRAWING LIST

<u>DWG. NUMBER</u>	<u>TITLE</u>	<u>REV.</u>
GI-T-30	CONTROL HOUSE LAYOUT	0
GI-J-12-1	W.D. PANEL 1	0
GI-J-12-2	W.D. PANEL 2	0
GI-J-12-3.1&2	W.D. PANEL 3	0
GI-J-12-4	W.D. PANEL 4	0
GI-J-12-5.1&2	W.D. PANEL 5	0
GI-J-12-6	W.D. PANEL 6	0
GI-J-12-8	W.D. PANEL 8	0
GI-J-12-9	W.D. PANEL 9	0
GI-J-12-10	W.D. PANEL 10	0
GI-J-12-11	W.D. PANEL 11	0
GI-J-12-12	TERM CABINET	0
GI-J-12-20	AC-DC CABINET	0
GI-J-12-22	PANEL FRONT VIEWS	0

FOR BID ONLY  
2-21-2014

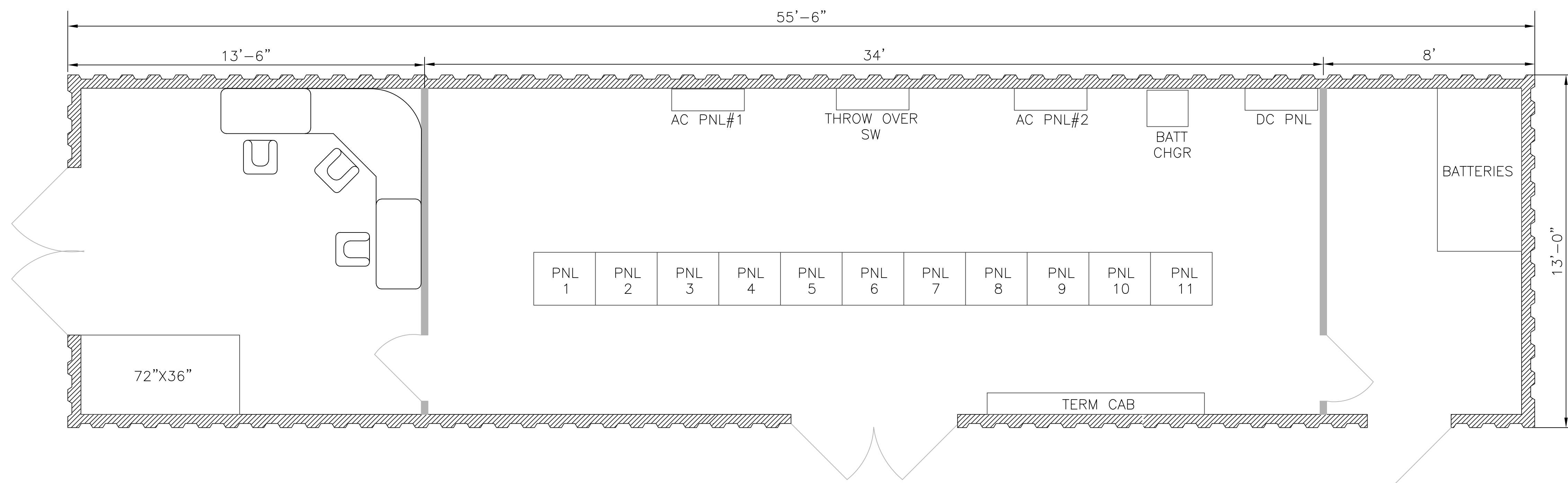
REV.	DATE	REVISIONS	BY	CHK'D	SUPV.	APPD.
0	XX/XX/XX	BID ISSUE	ACH	DLS		



CITY OF  
**GRAND ISLAND**  
UTILITIES DEPARTMENT

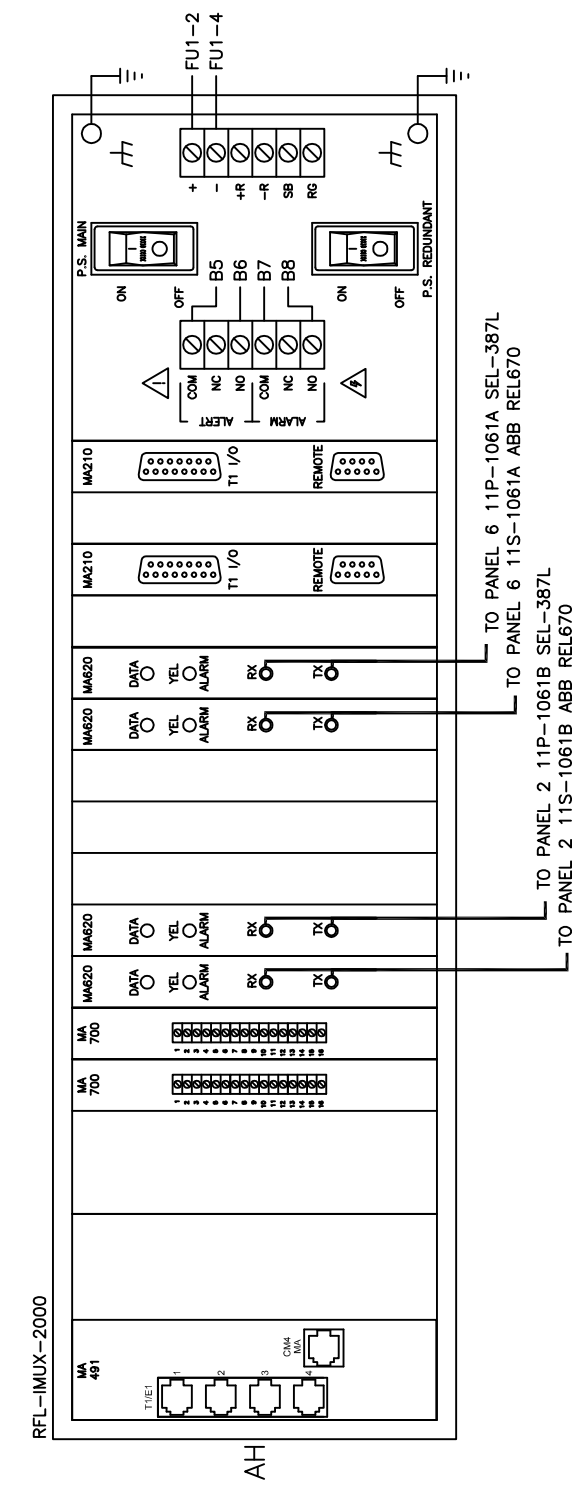
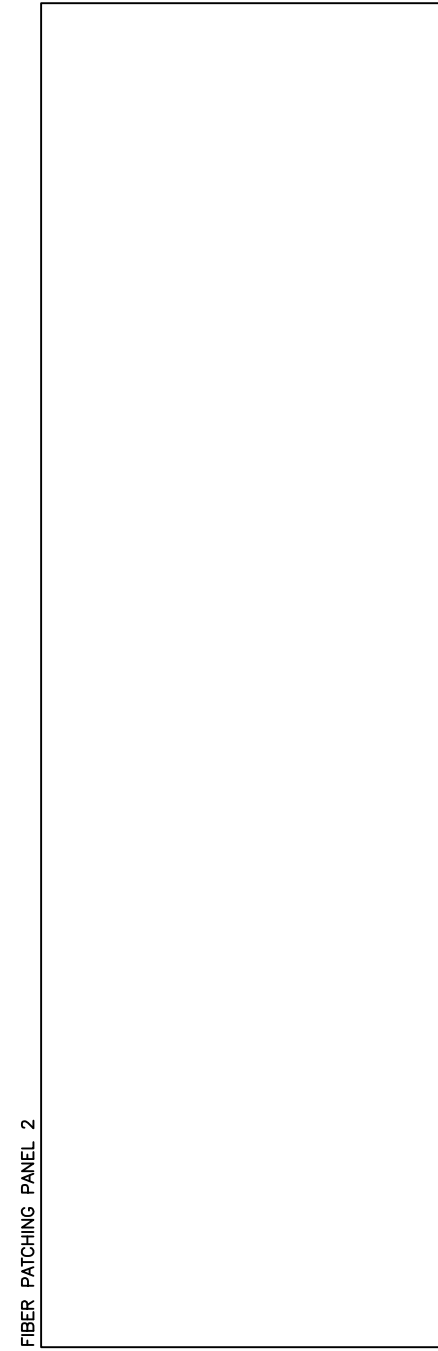
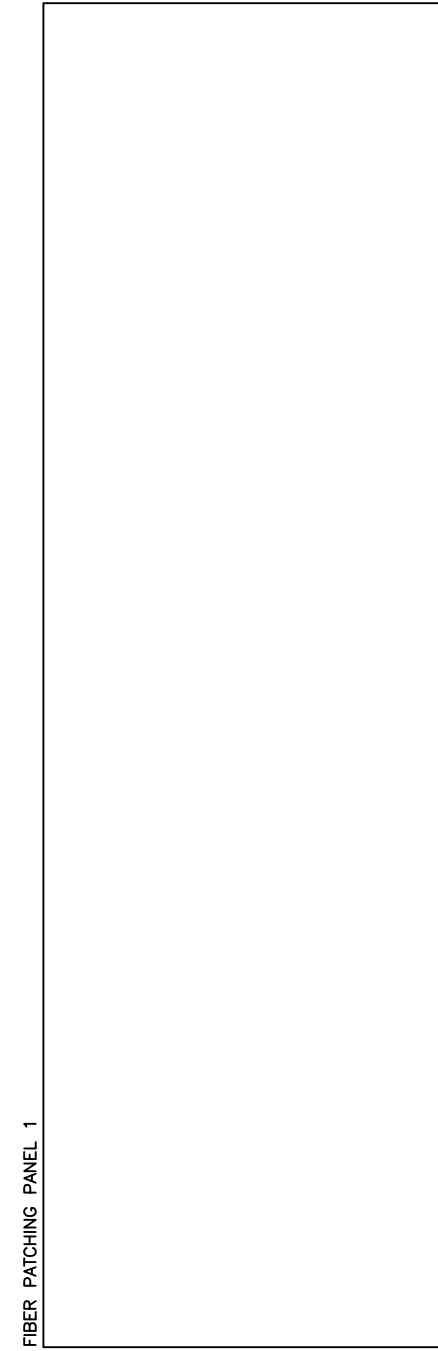
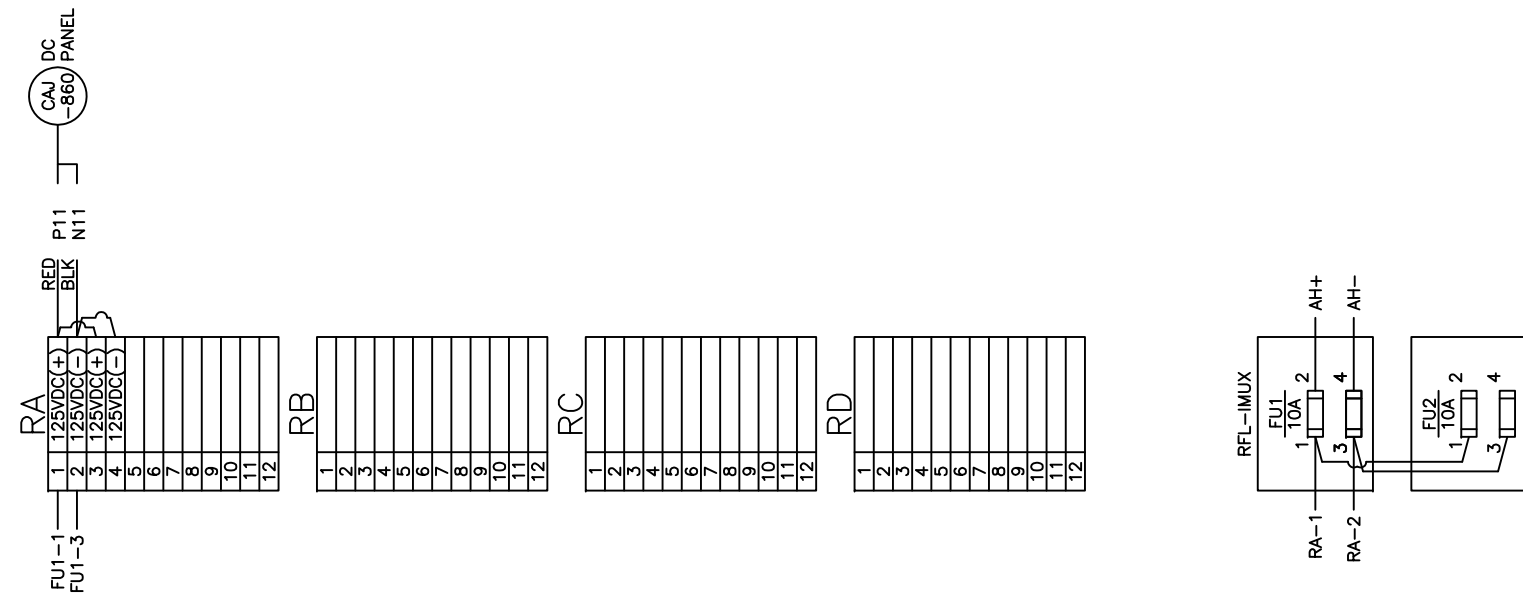
SUBSTATION "J"  
BLAINE AND WILDWOOD  
COVER SHEET

DRN. BY :	M.A.G.	APP. BY :	DLS	DWG. NO.
DATE :	1/4/09	DATE :	01/26/10	GI-J
CHK. BY :	DLS	SCALE :	1/8"=1'	0
DATE :	09/21/09	SH. 1	OF 1	



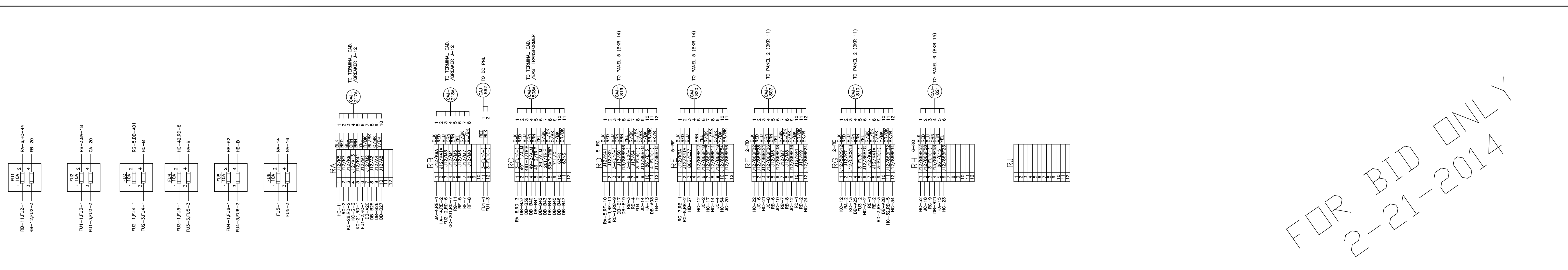
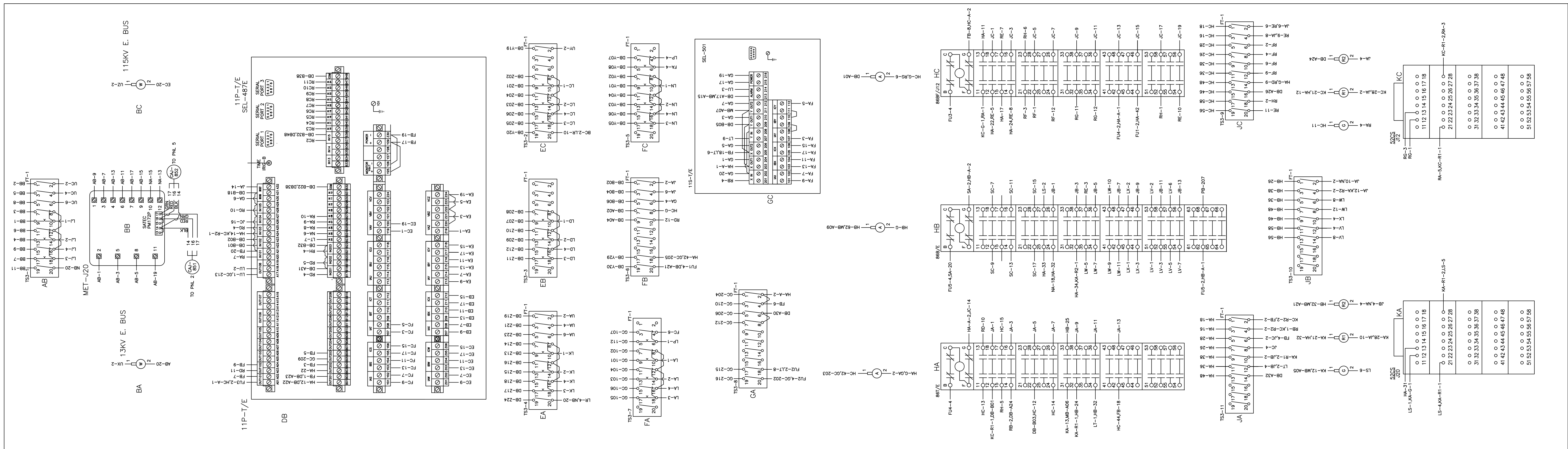
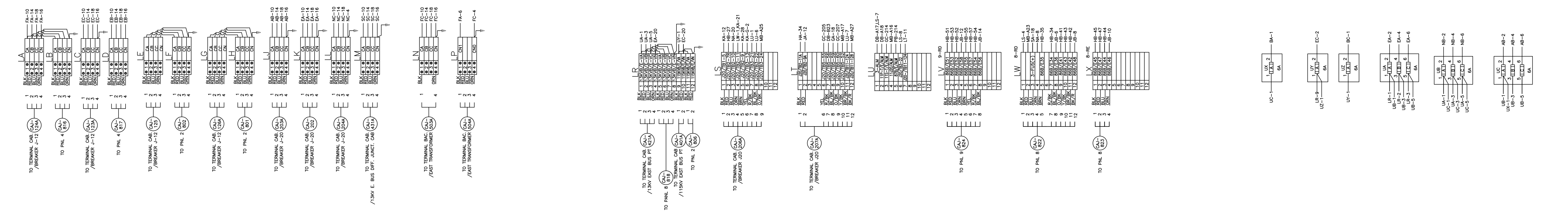
FLOOR PLAN

FOR BID ONLY  
2-21-2014

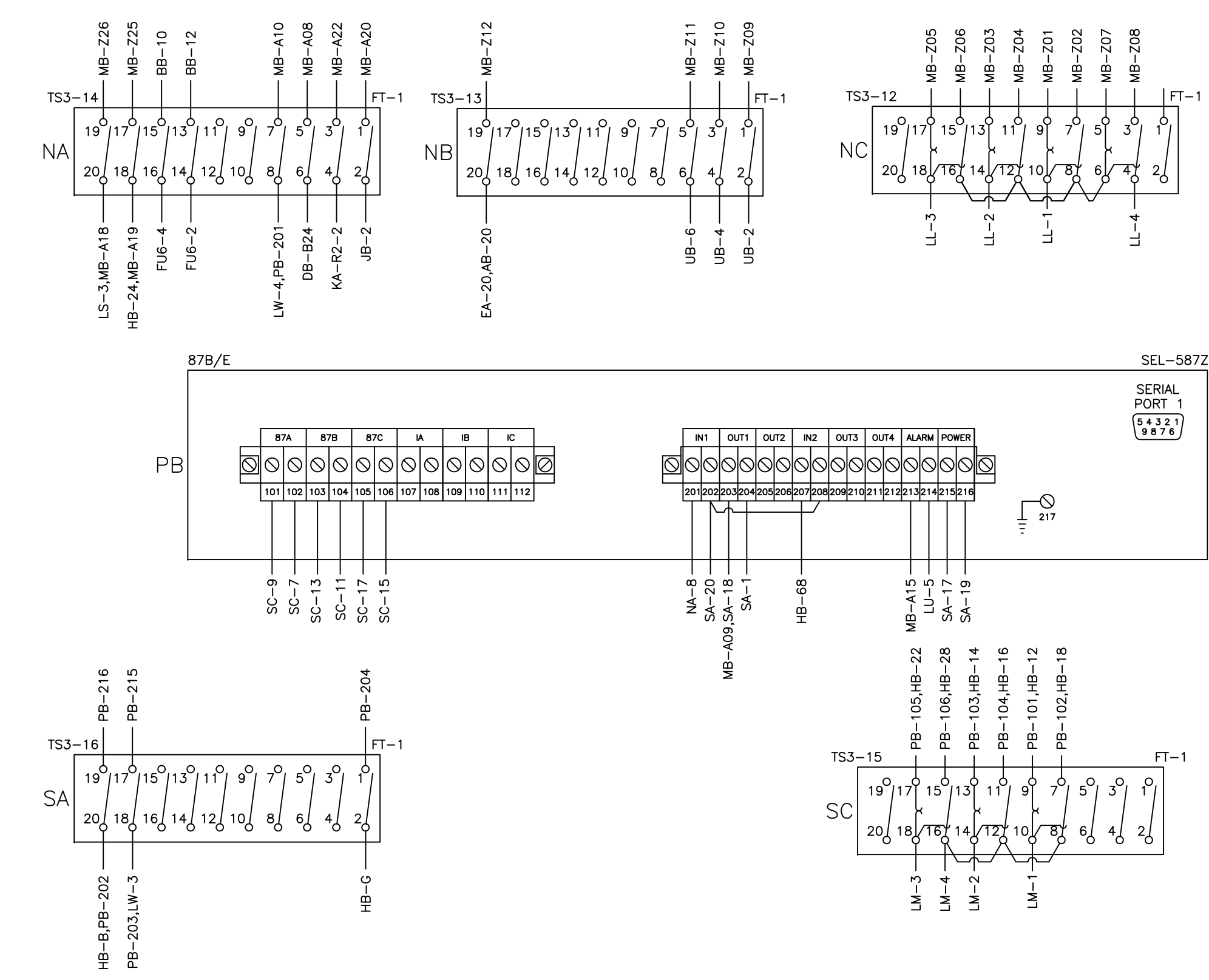
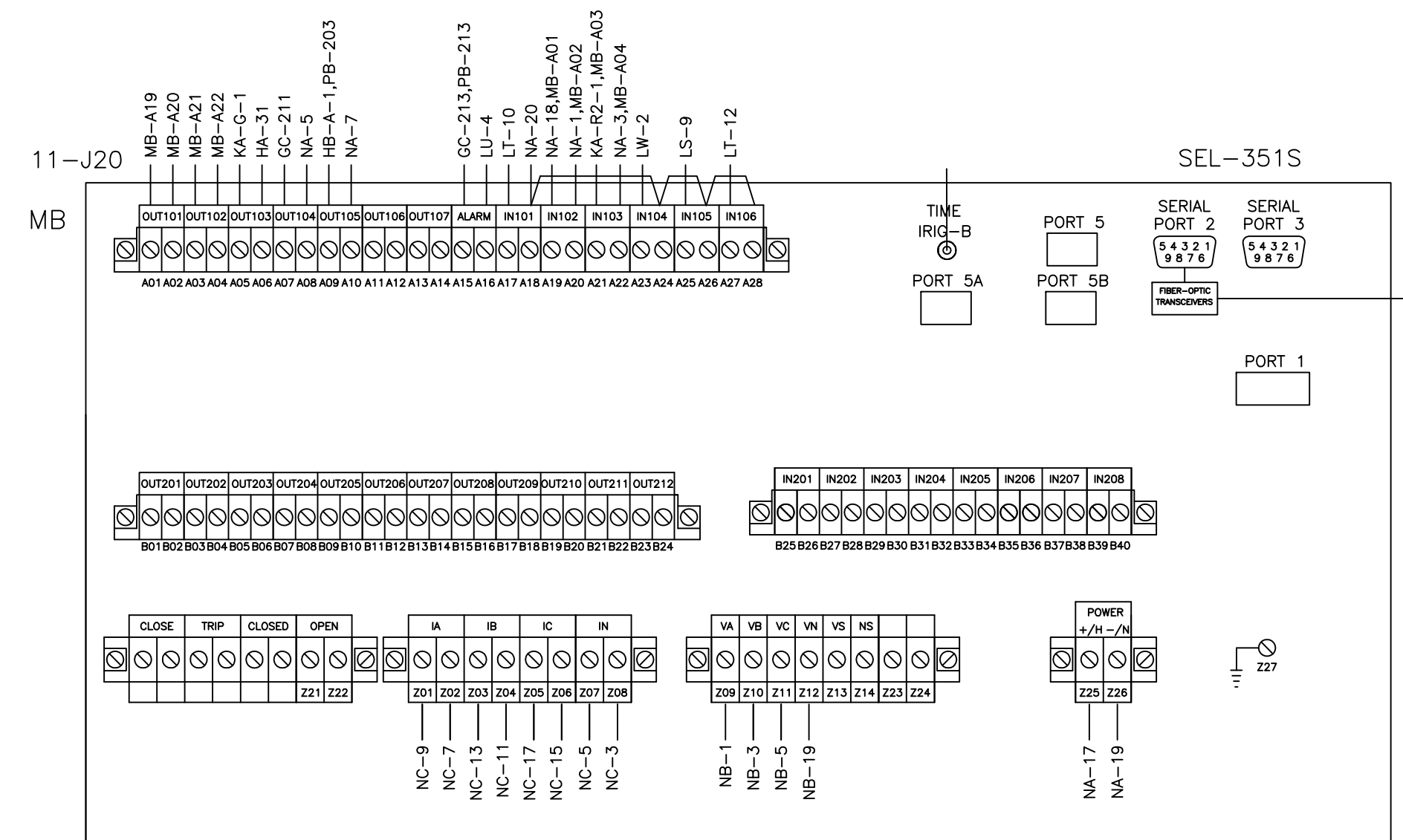


FOR BID ONLY  
2-21-2014

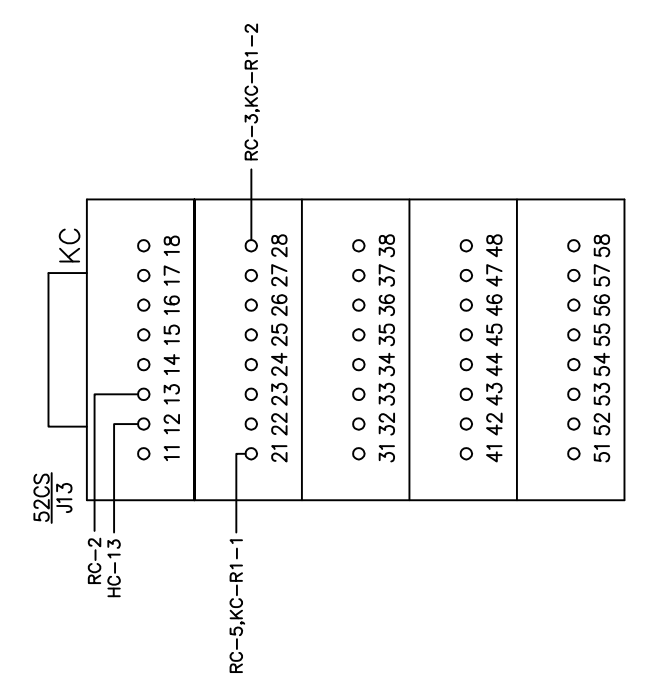
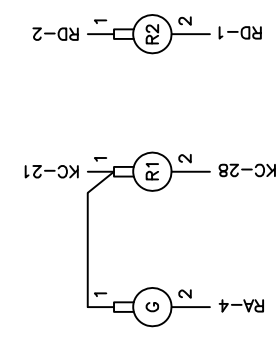
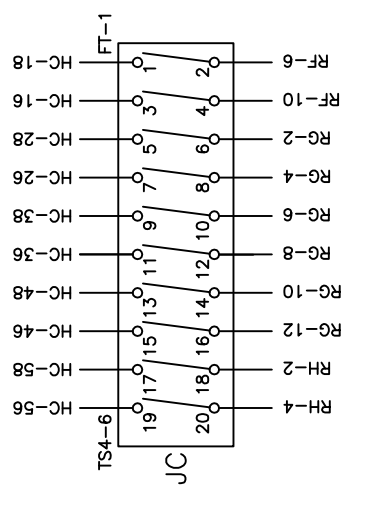
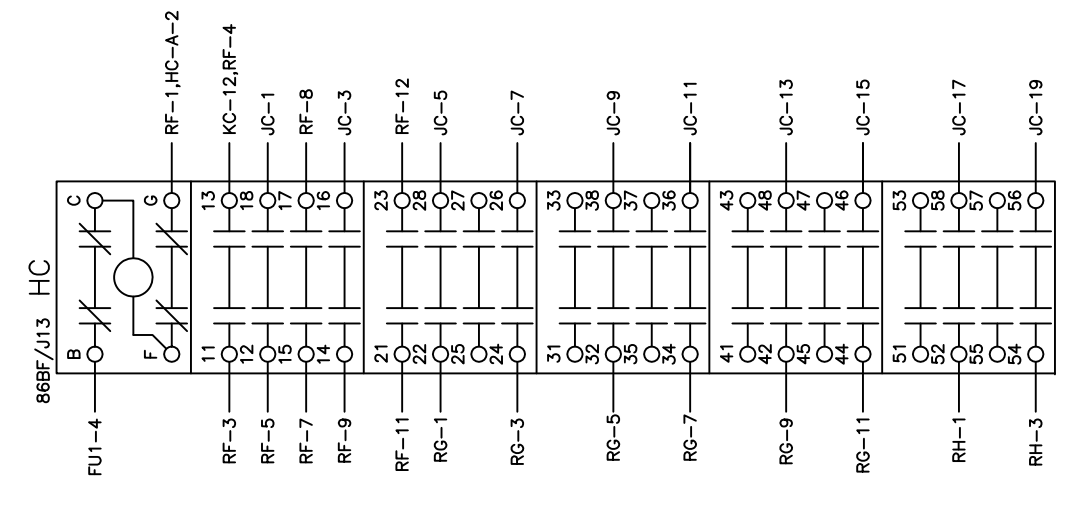
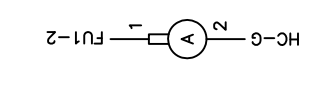
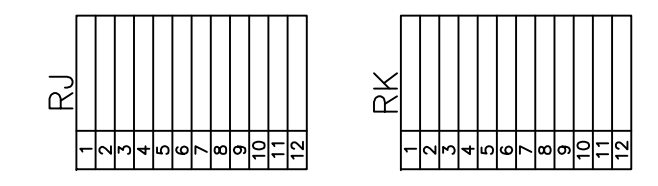
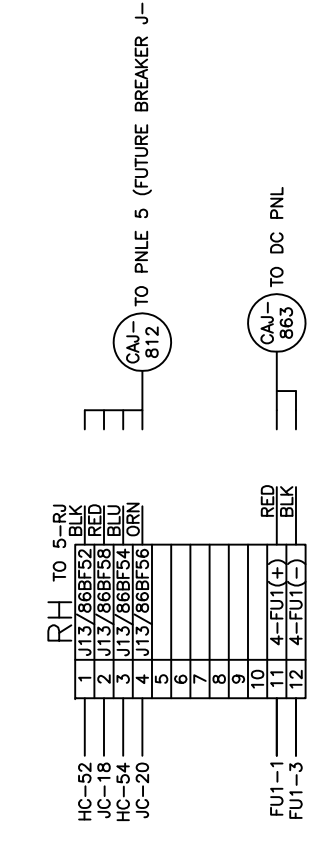
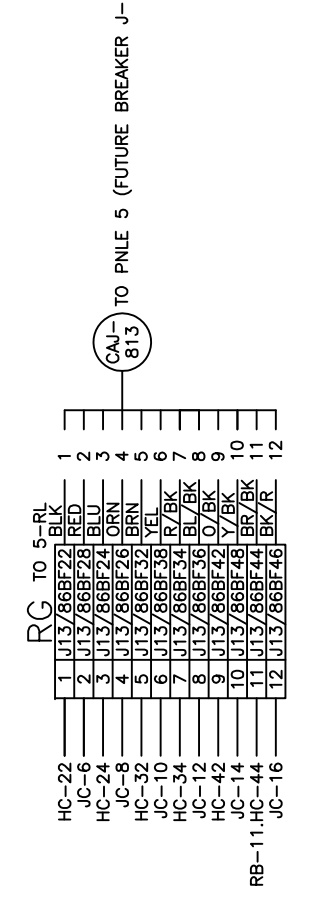
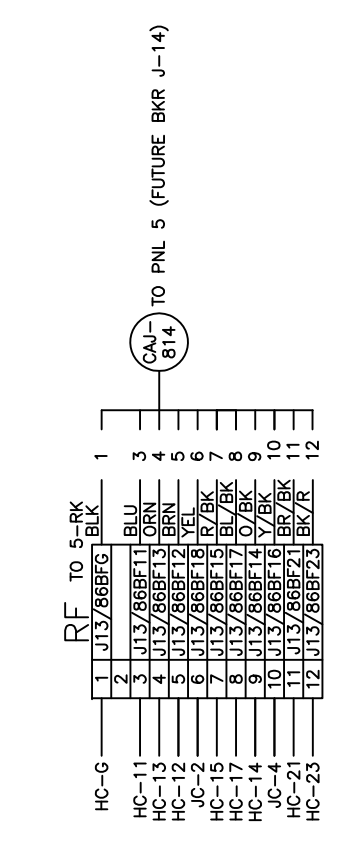
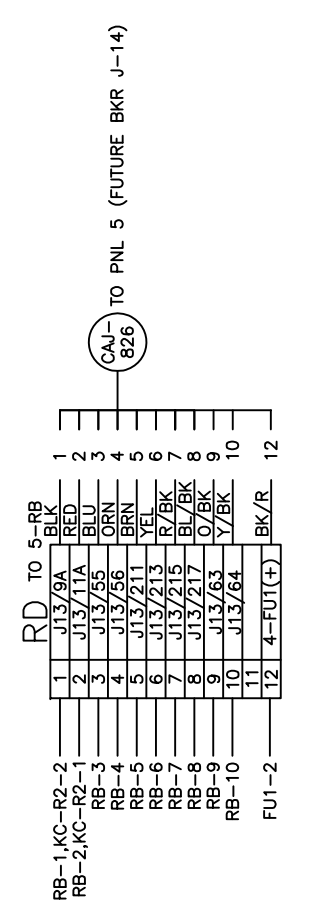
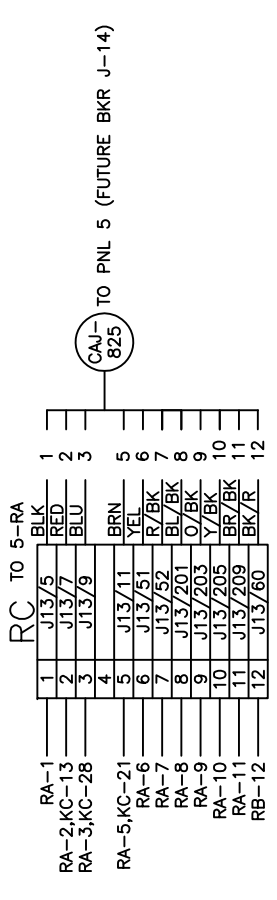
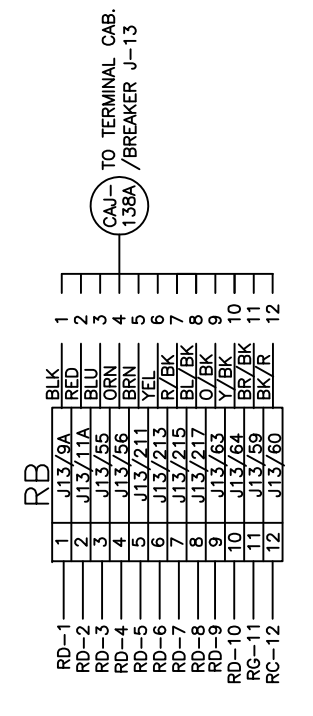
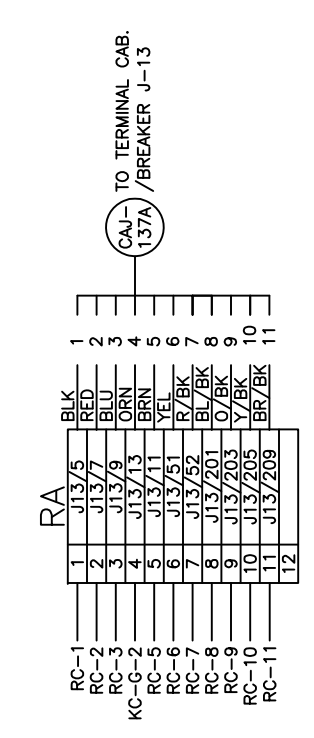
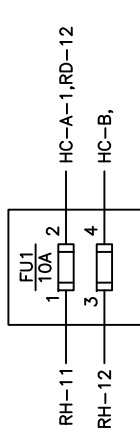
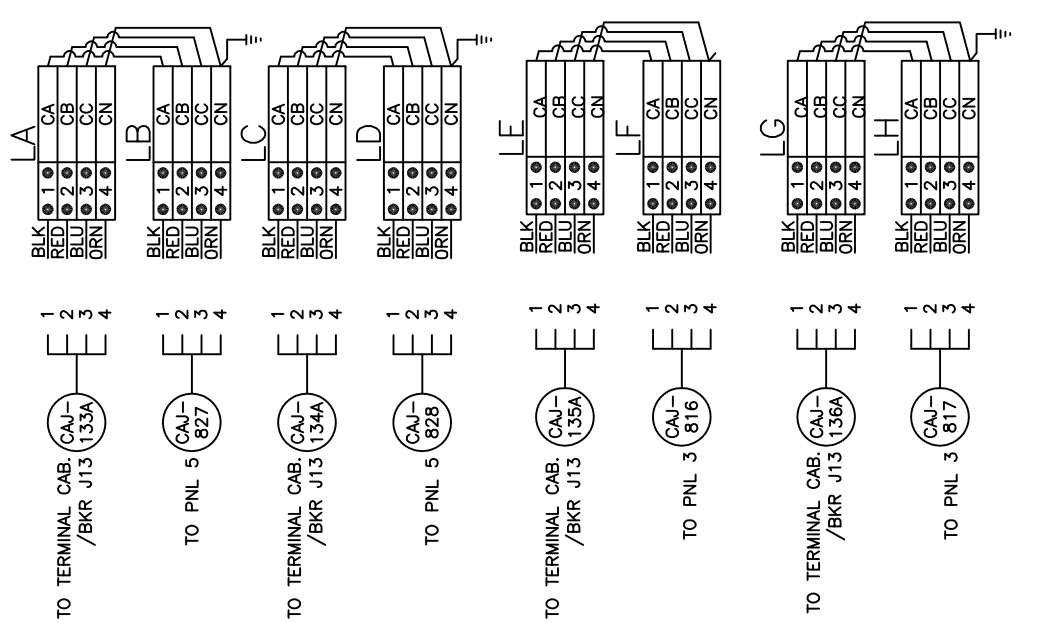




FOR BID ONLY  
2-21-2014

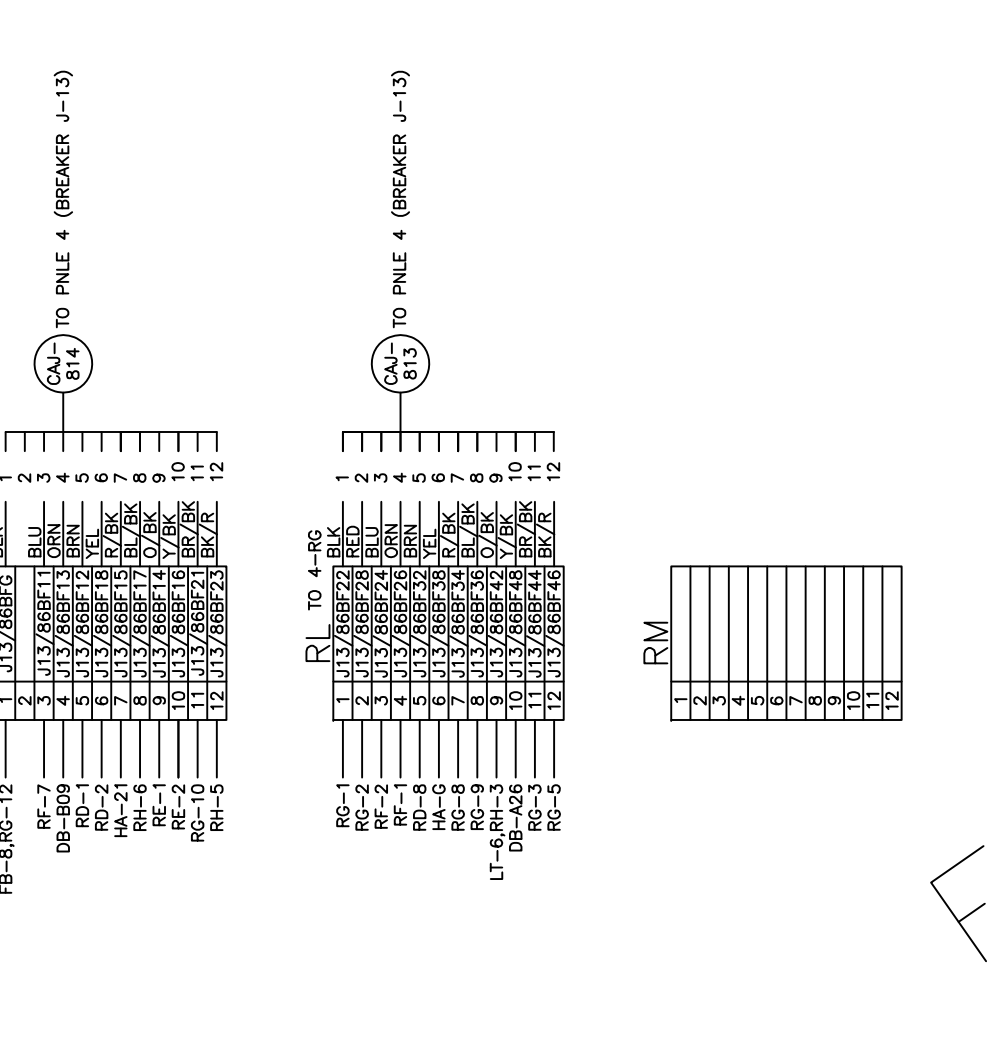
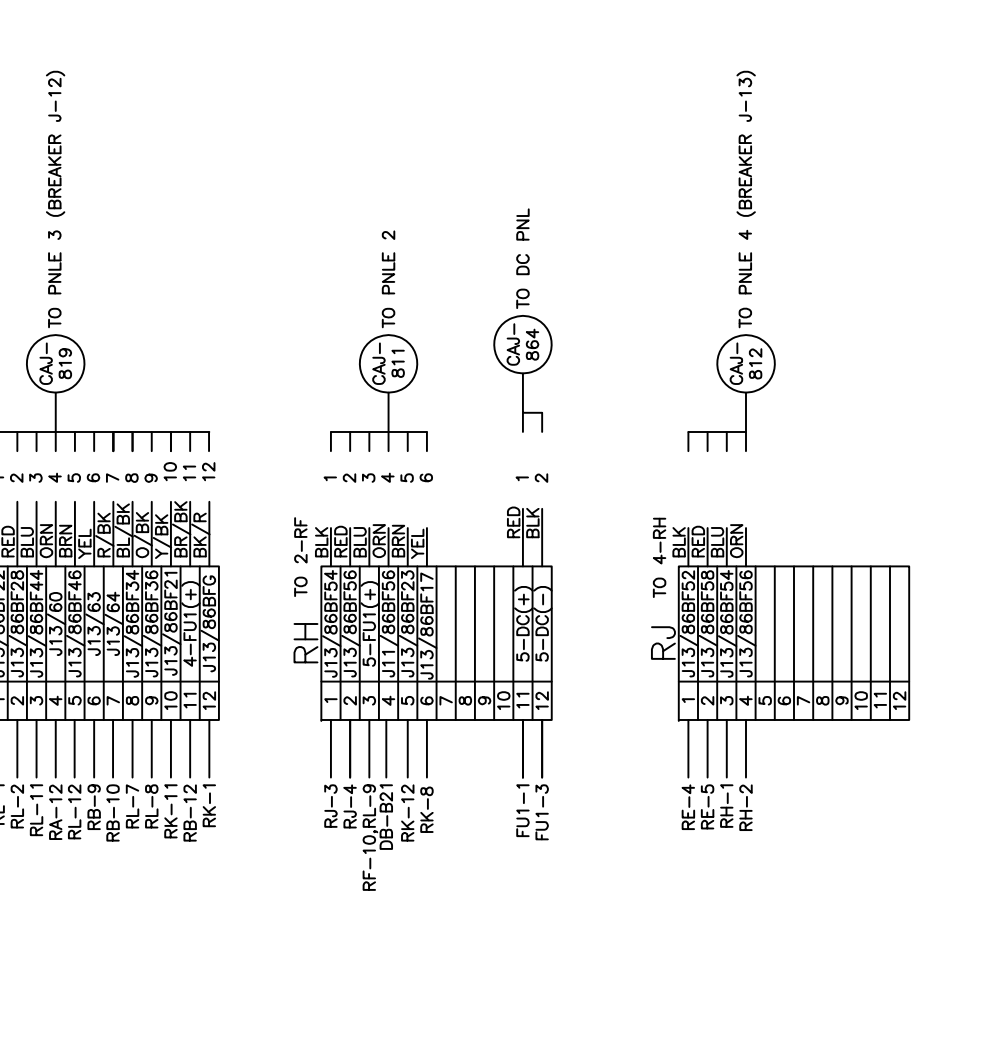
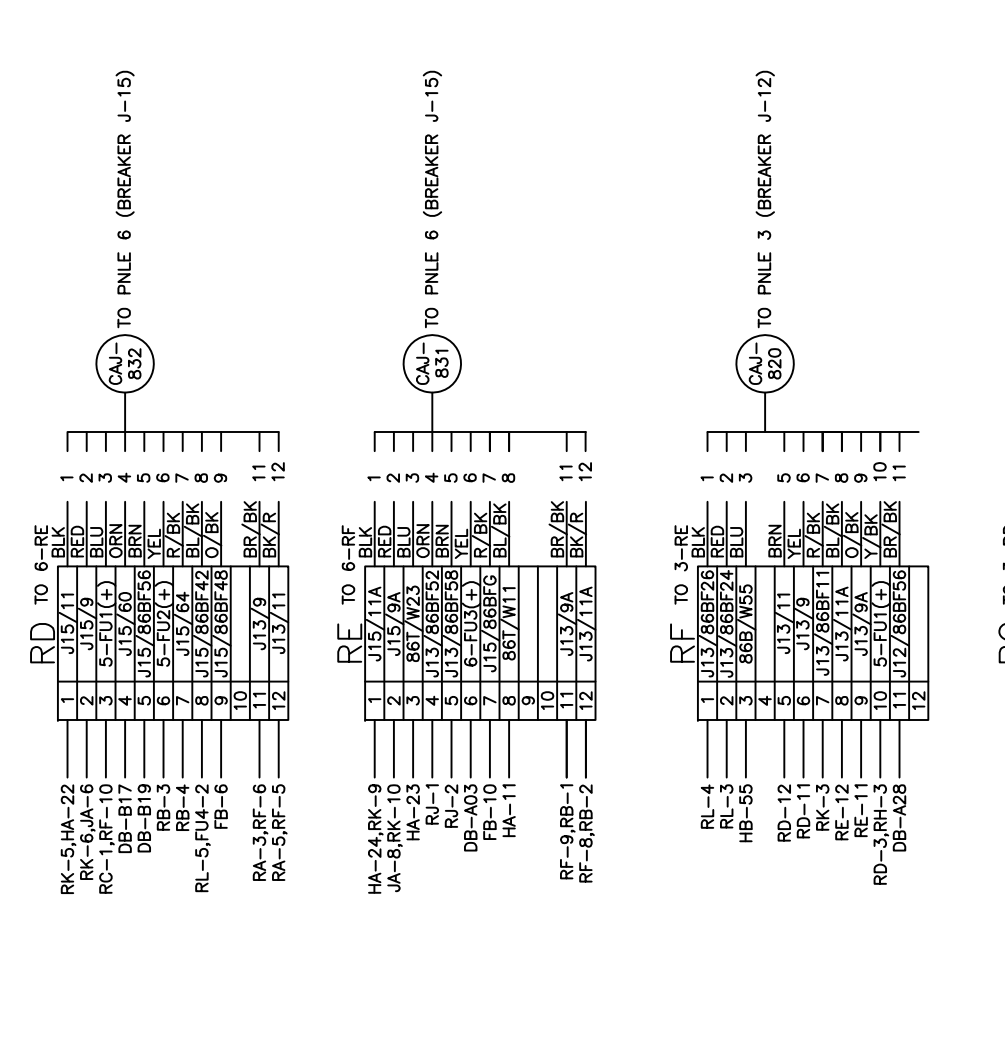
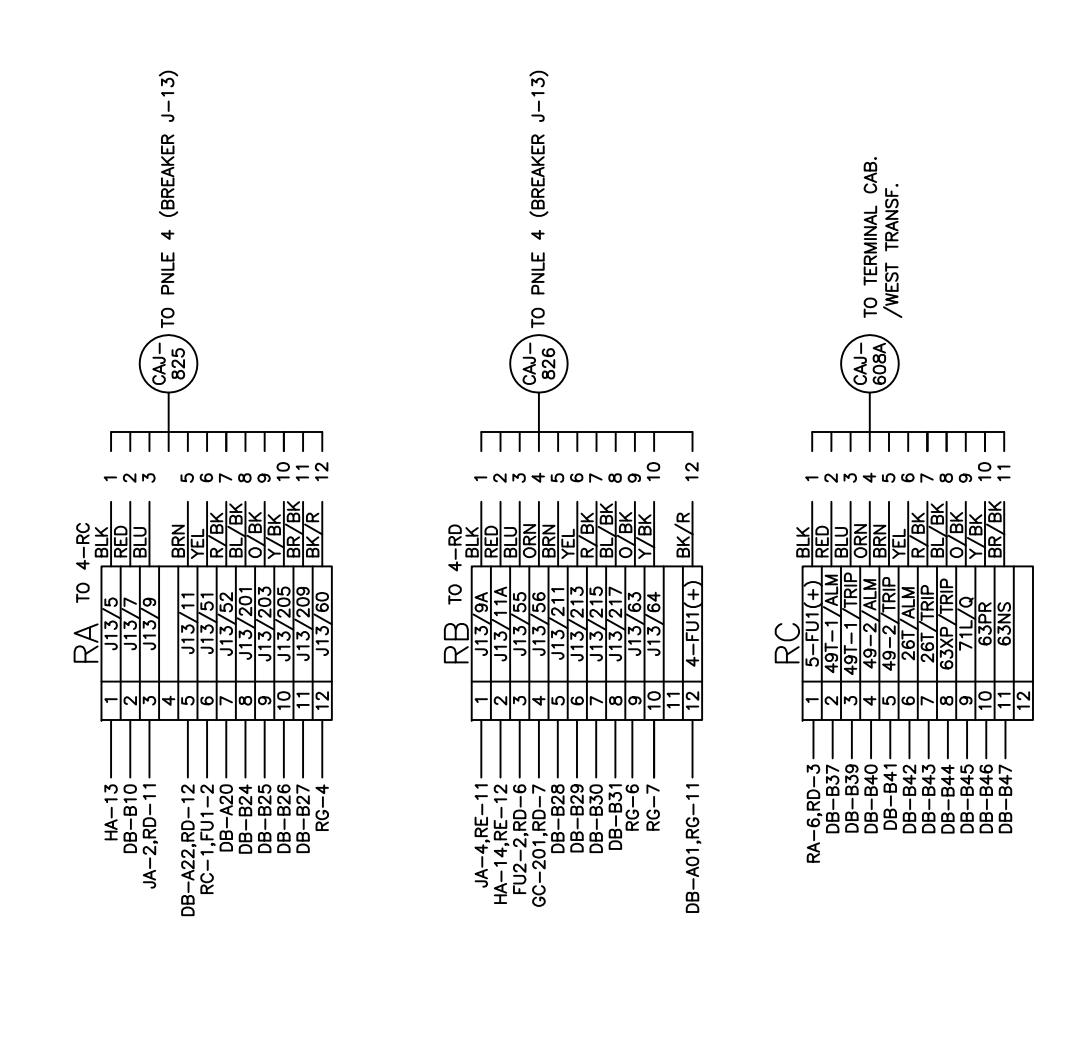
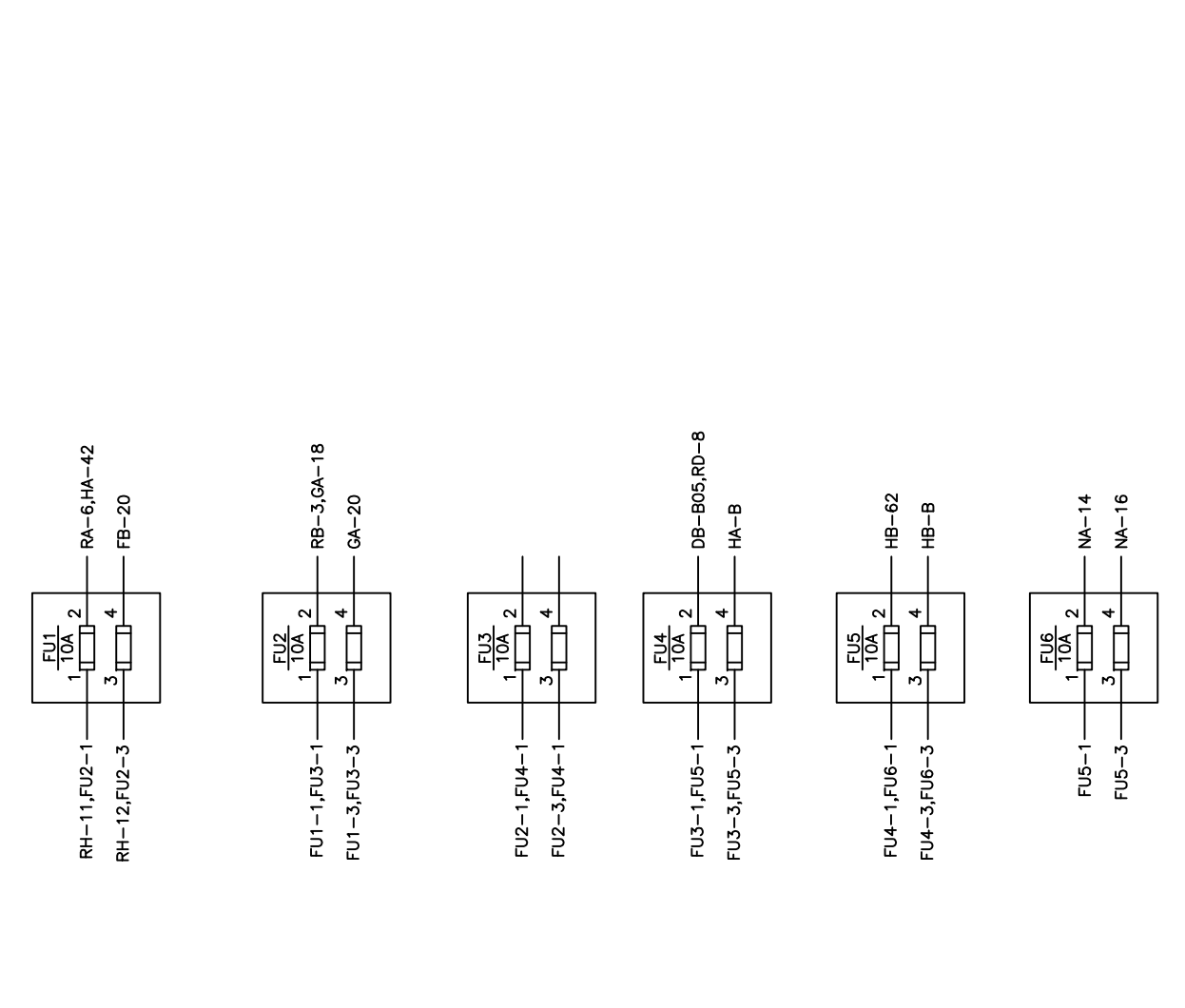
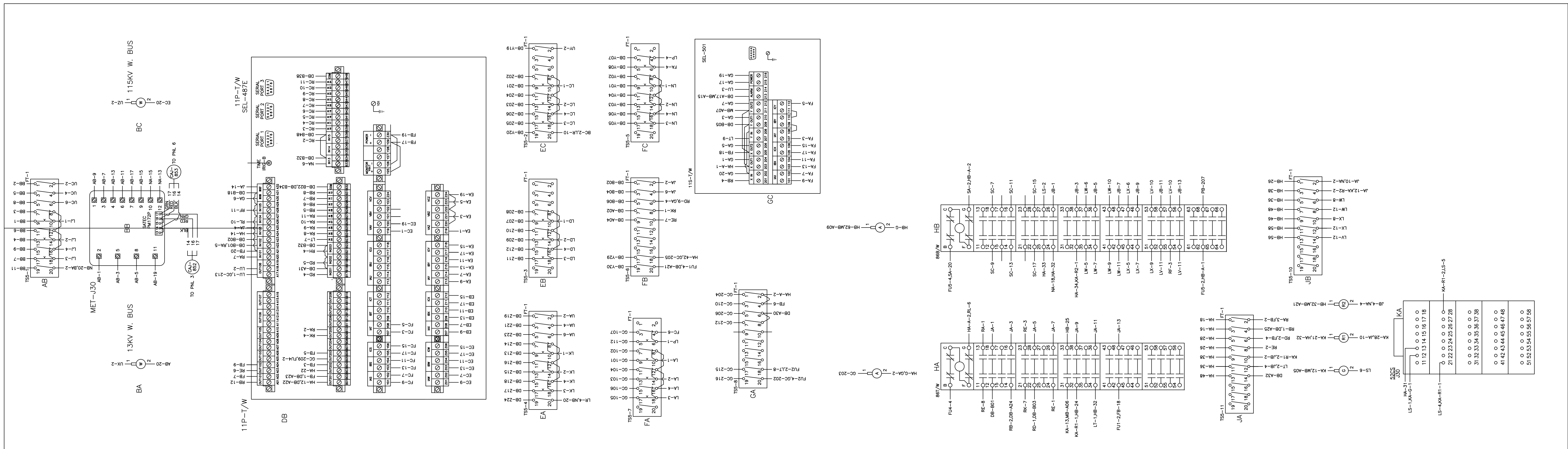


FOR BID ONLY  
2-21-2014

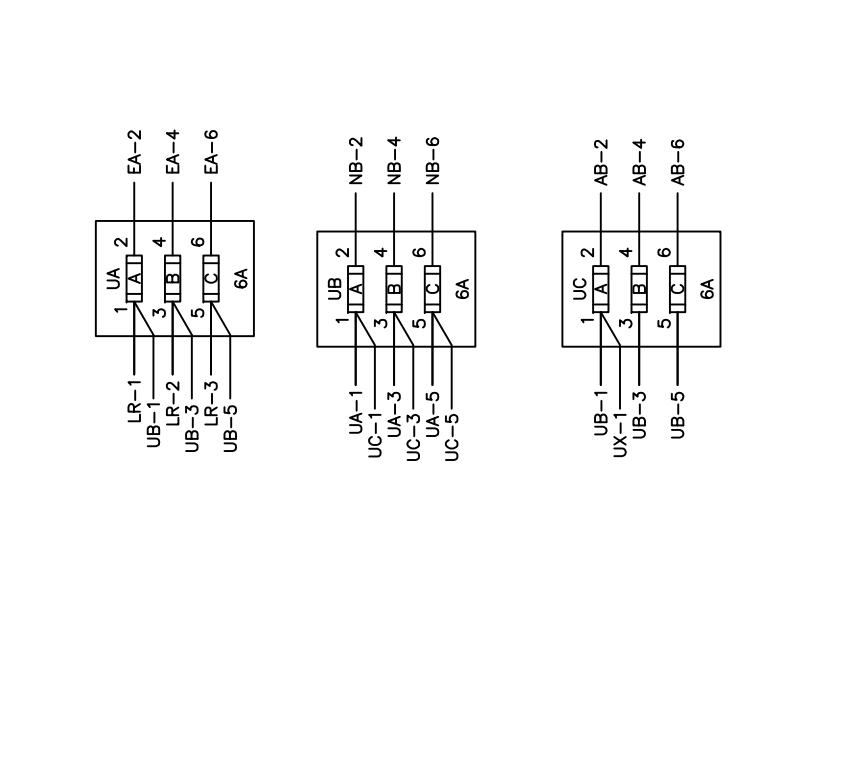
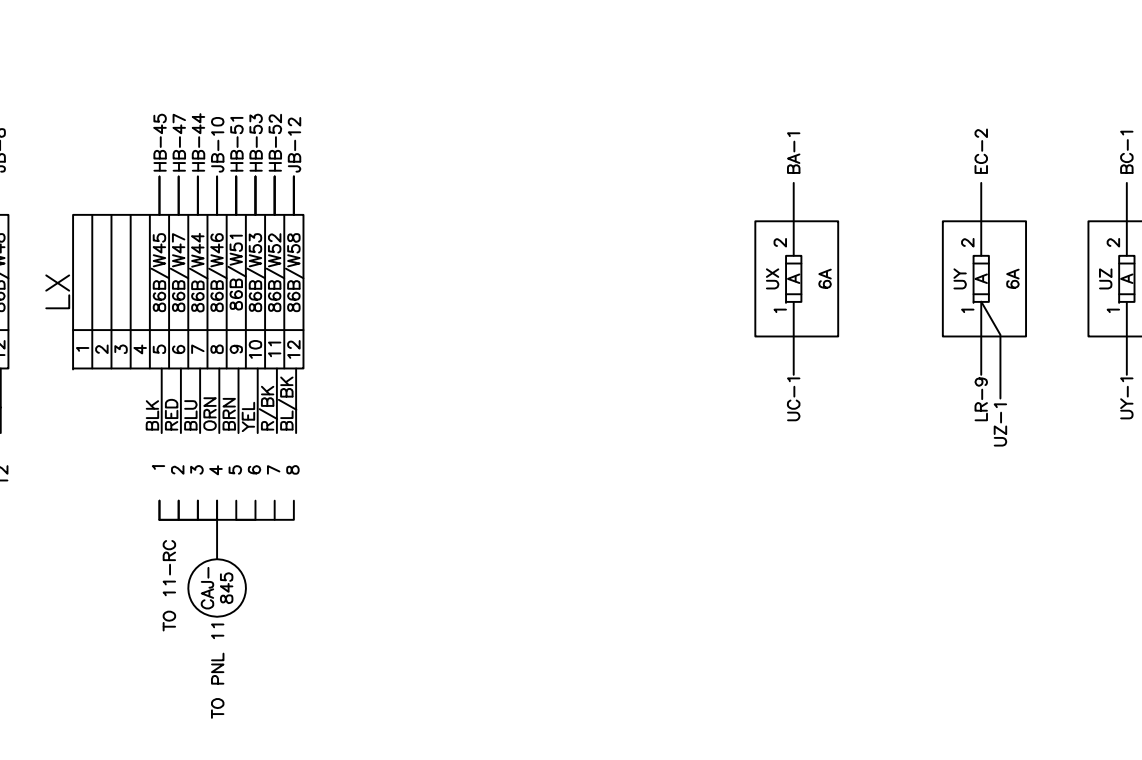
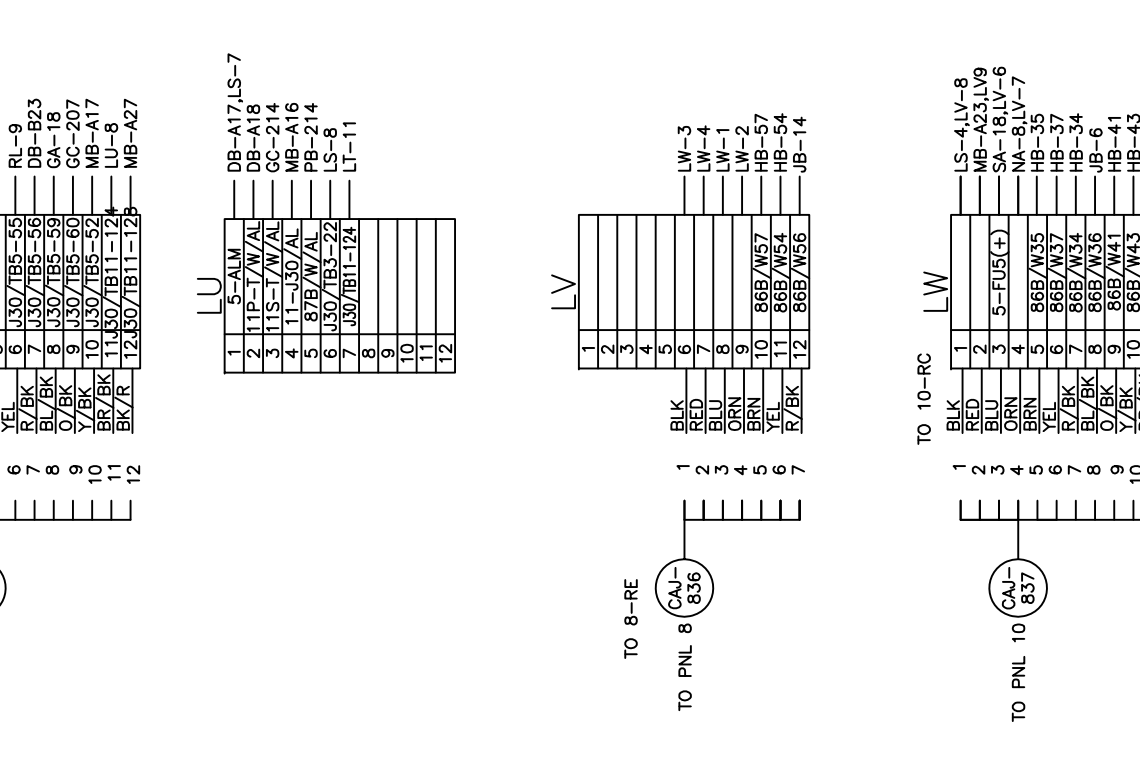
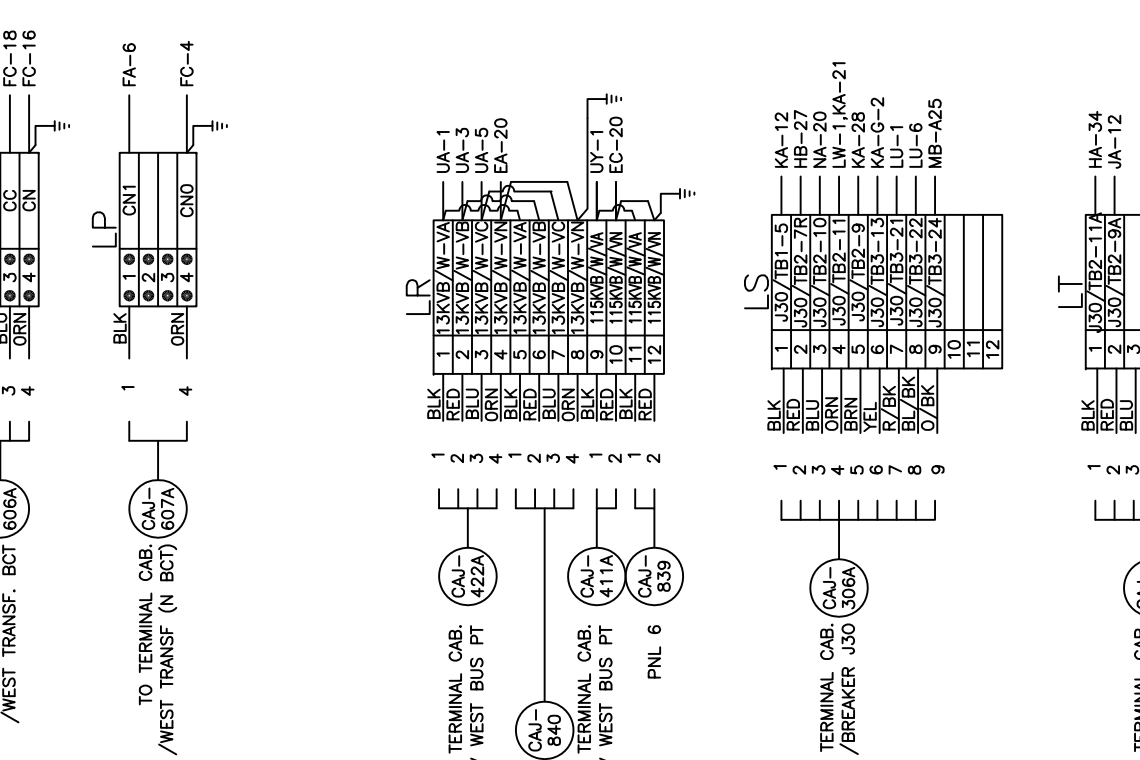
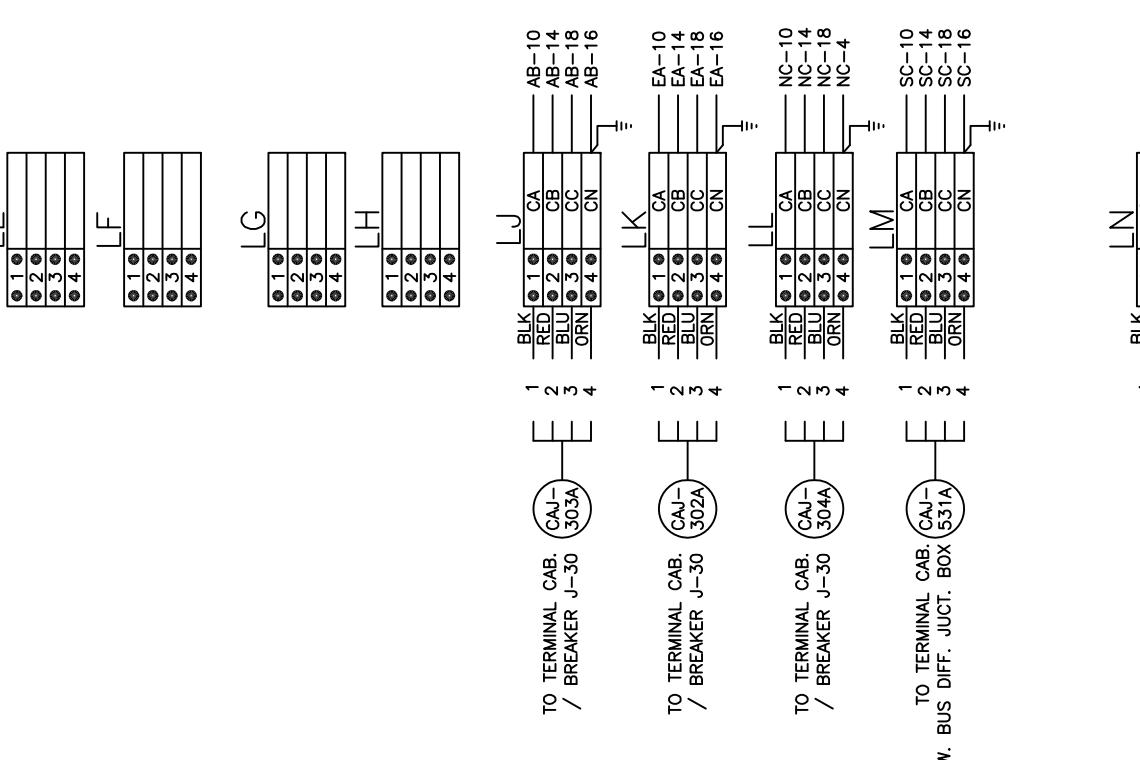
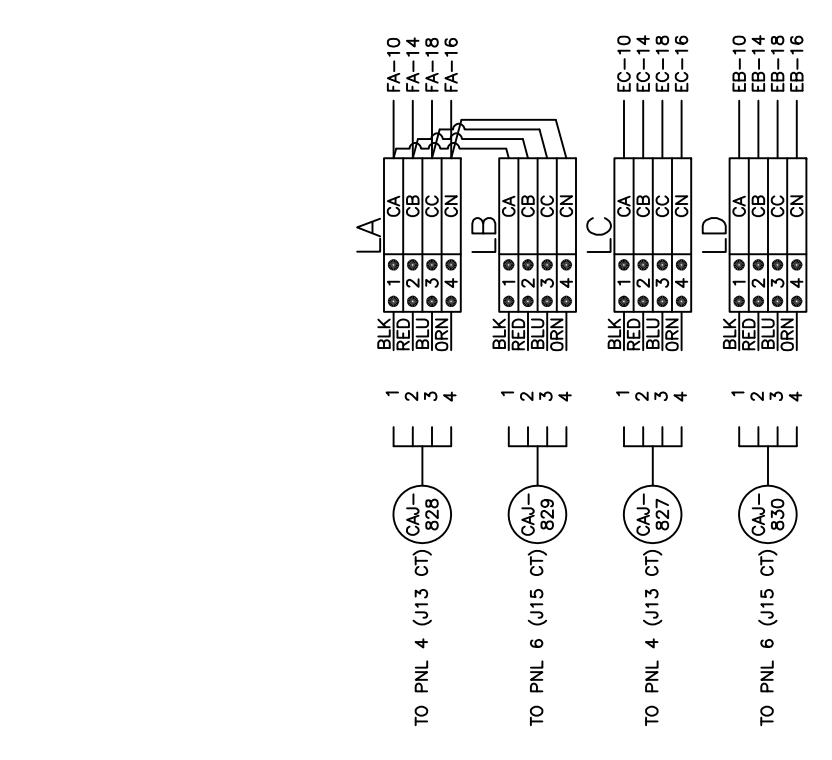


FOR BID ONLY  
2-21-2014

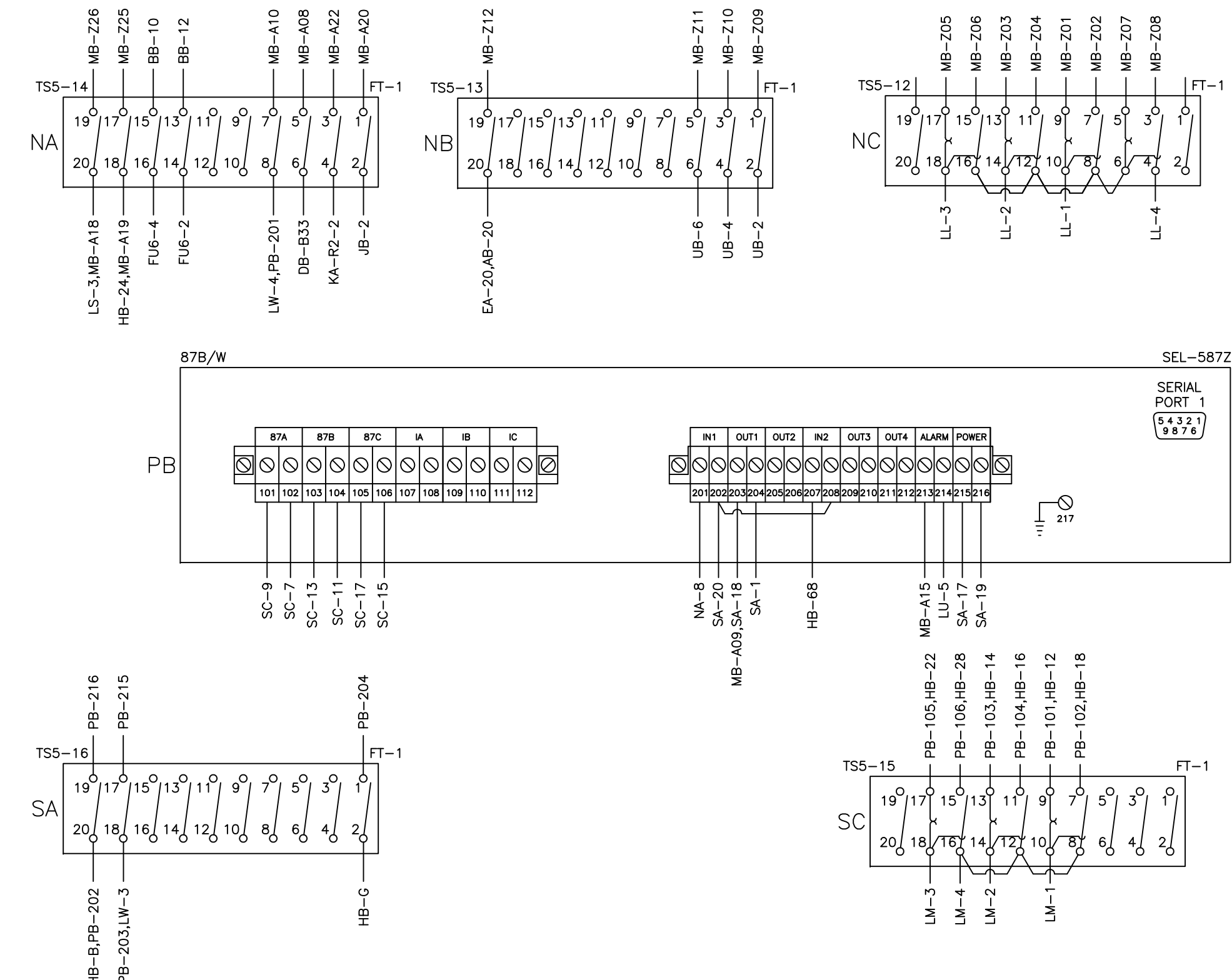
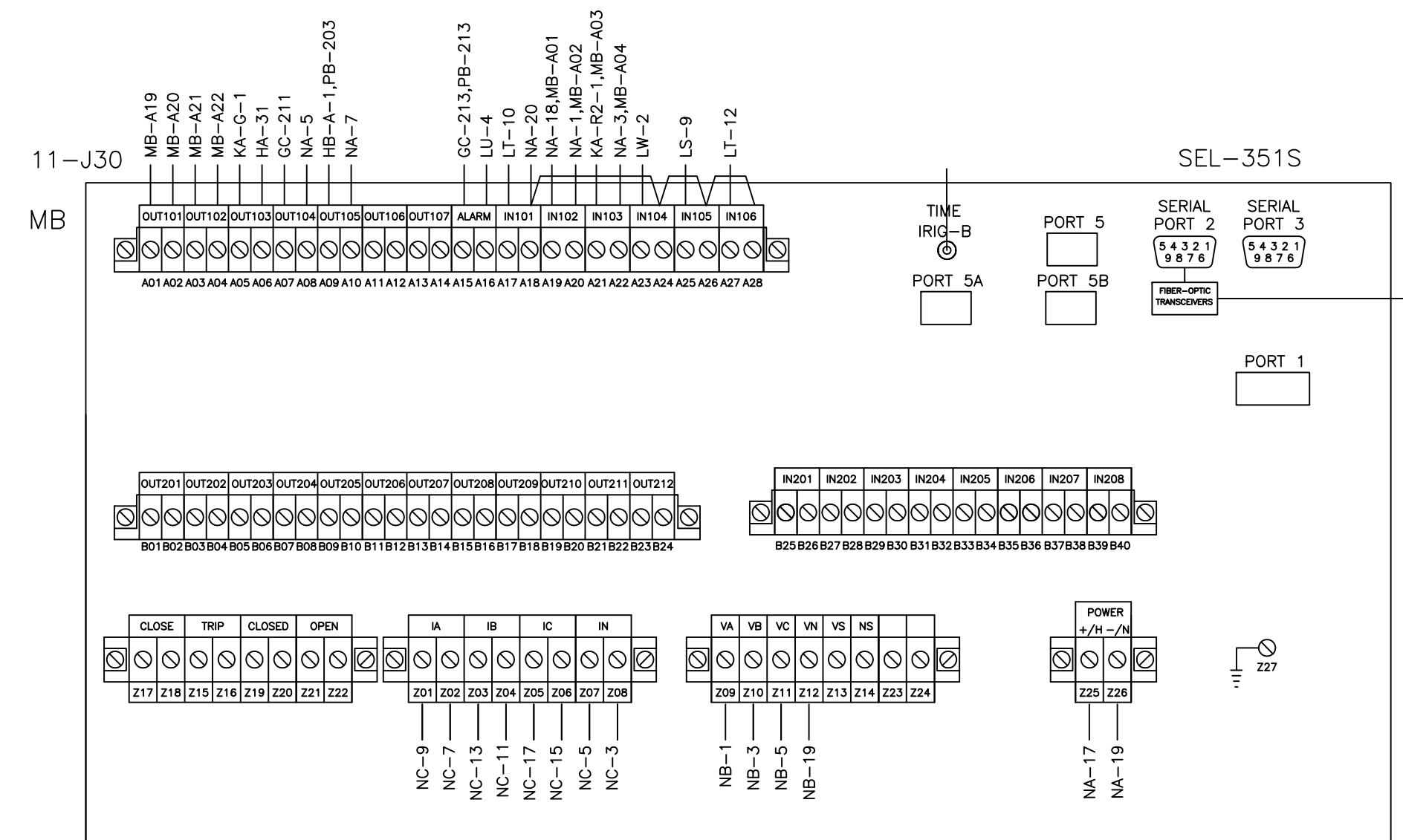




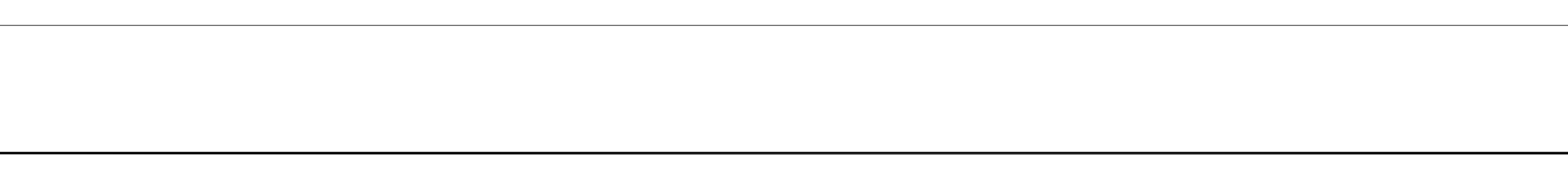
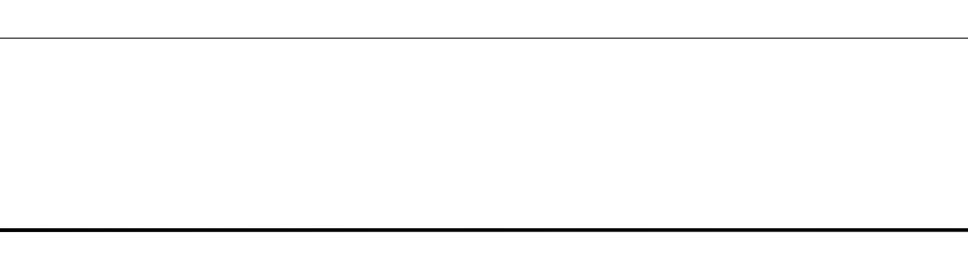
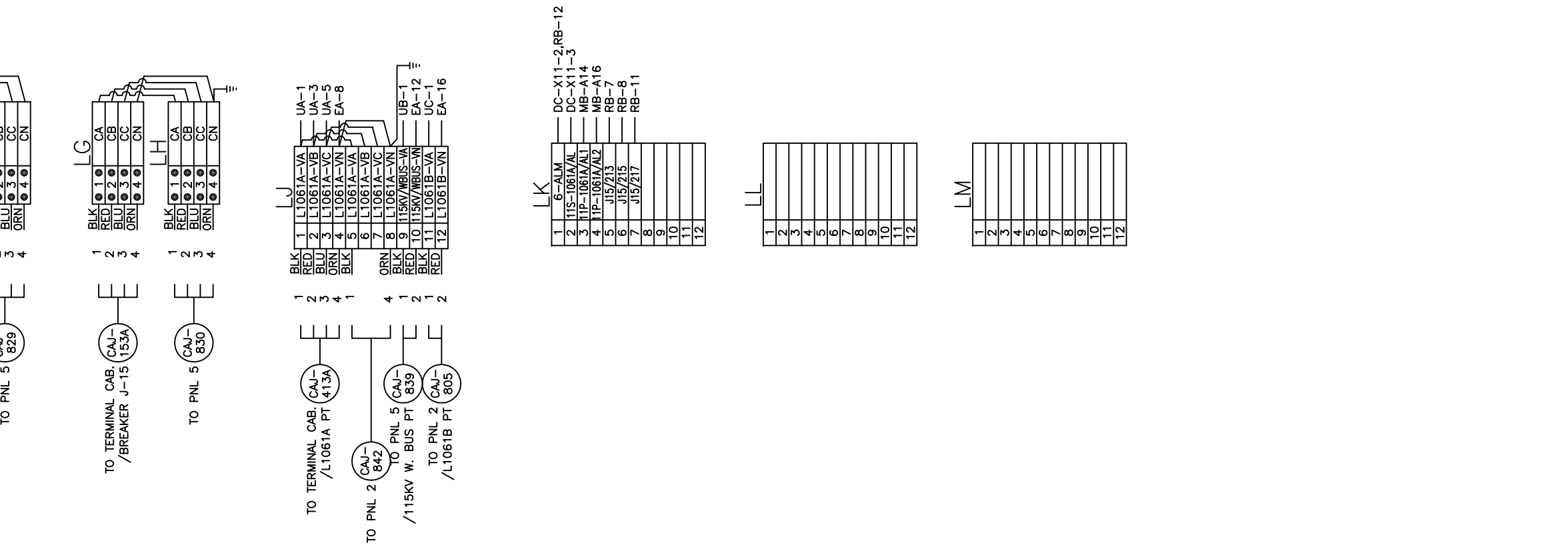
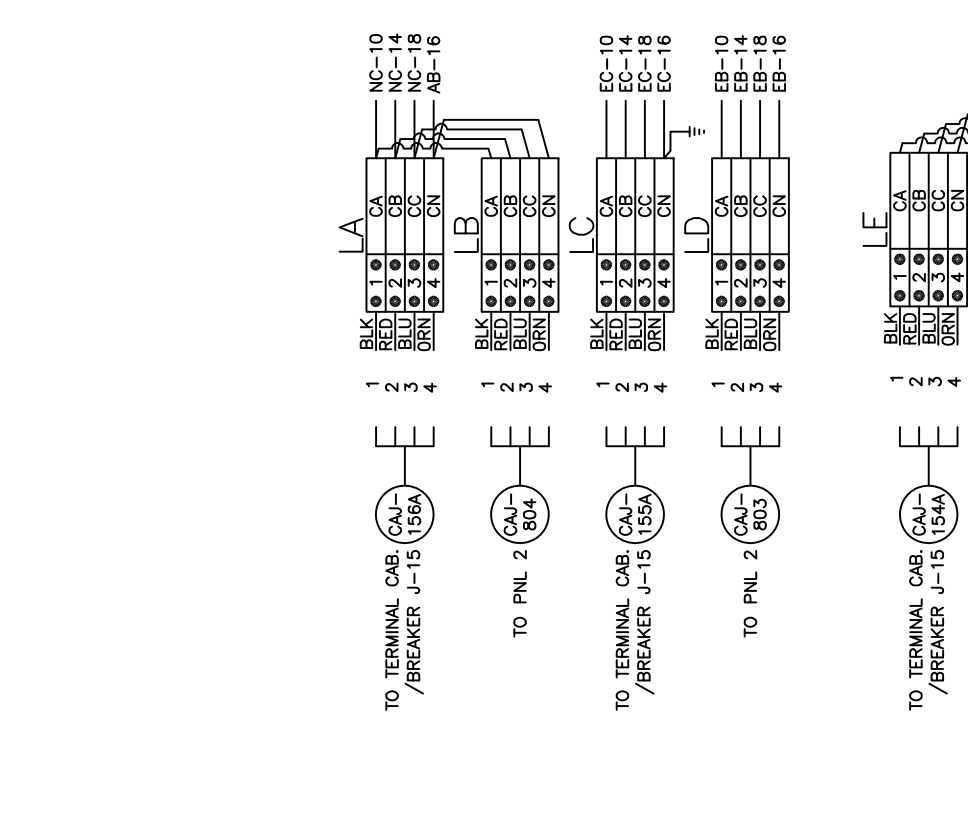
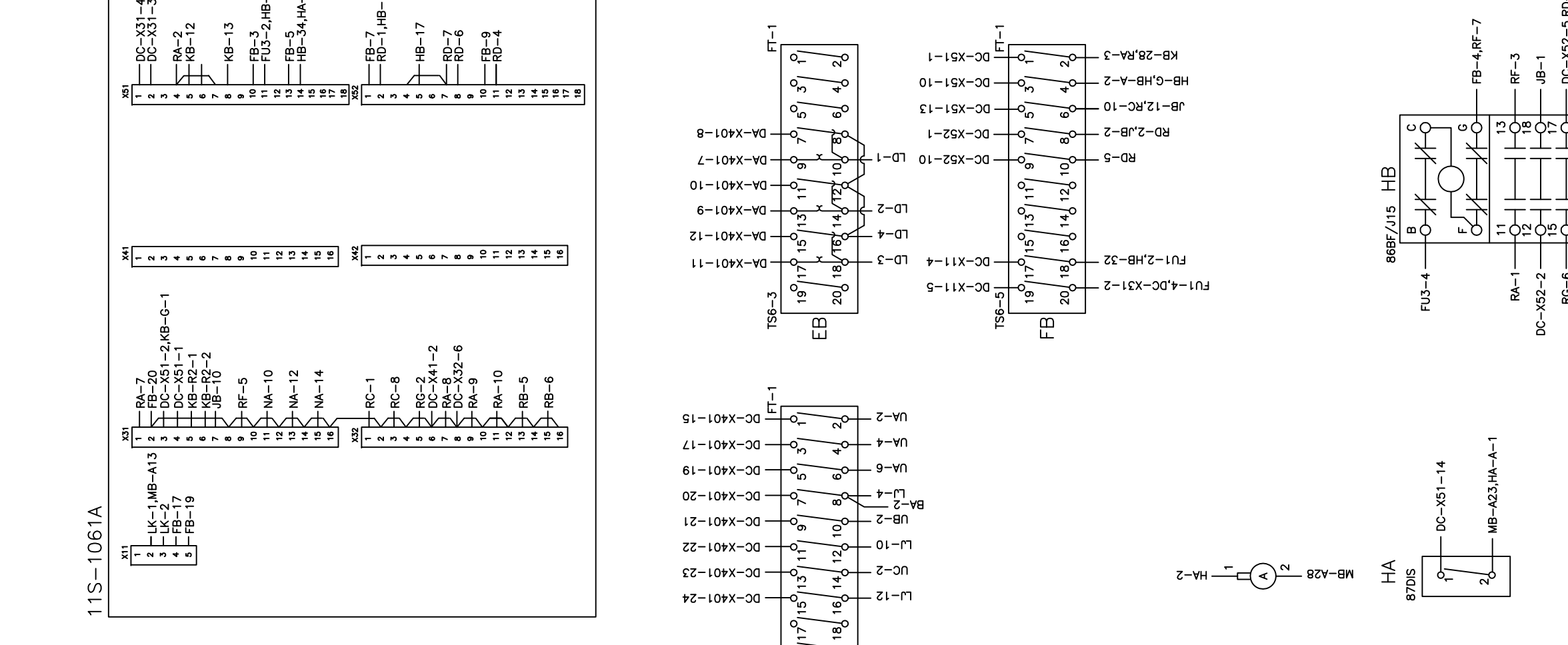
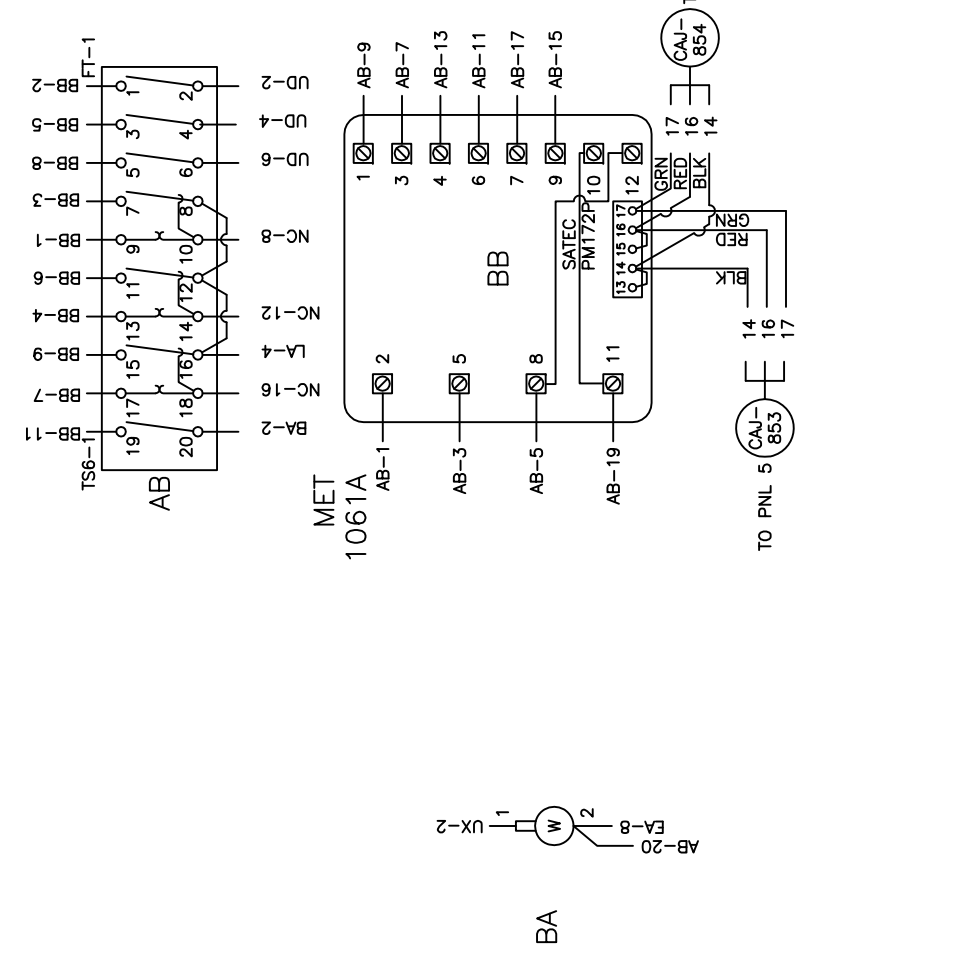
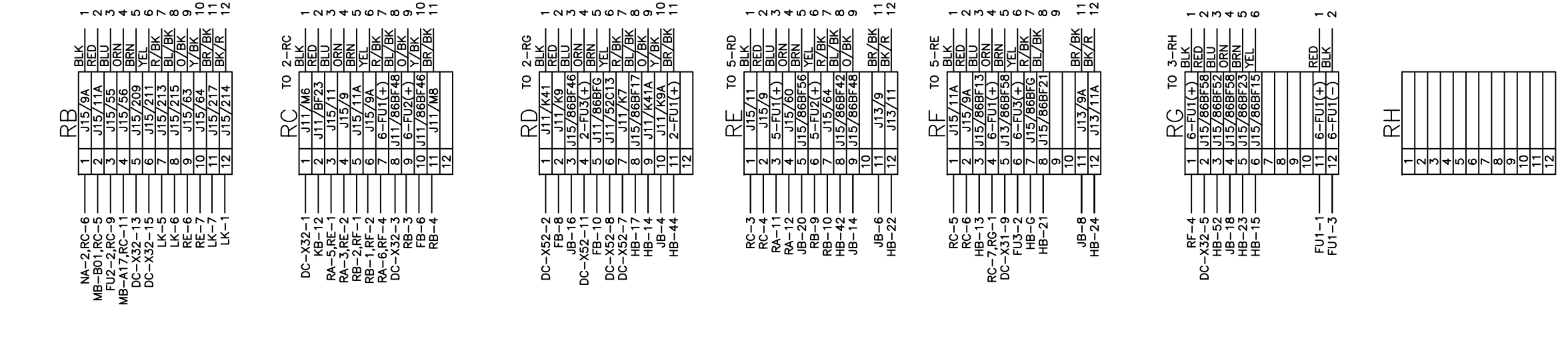
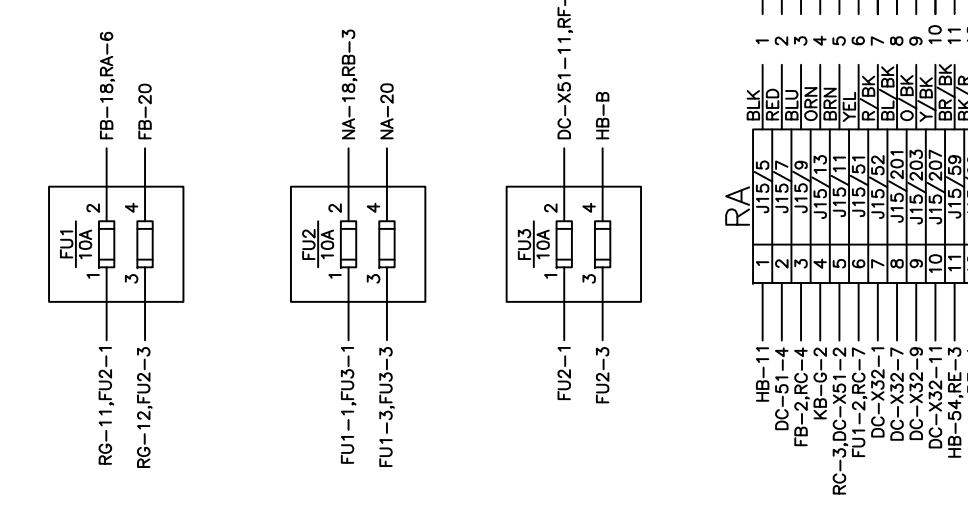
FOR BID ONLY  
2-21-2014



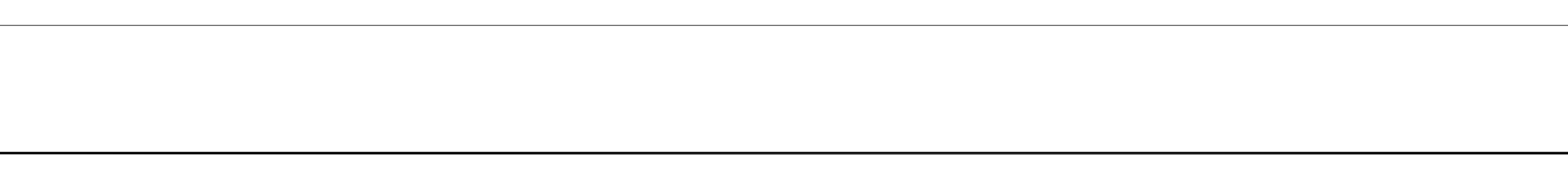
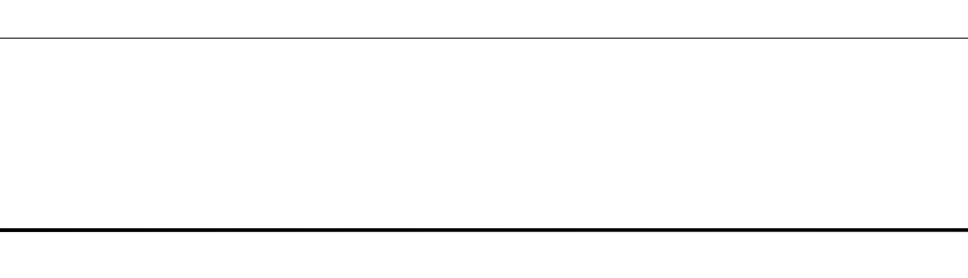
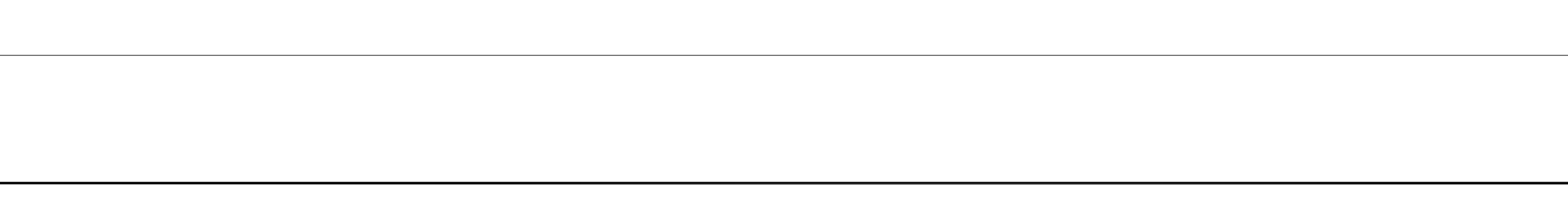
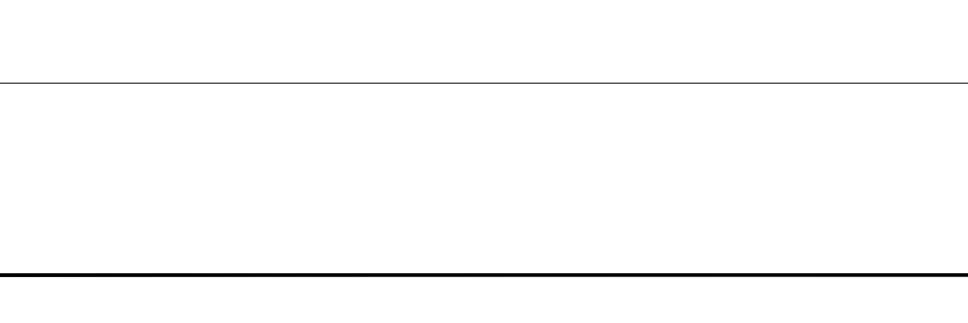
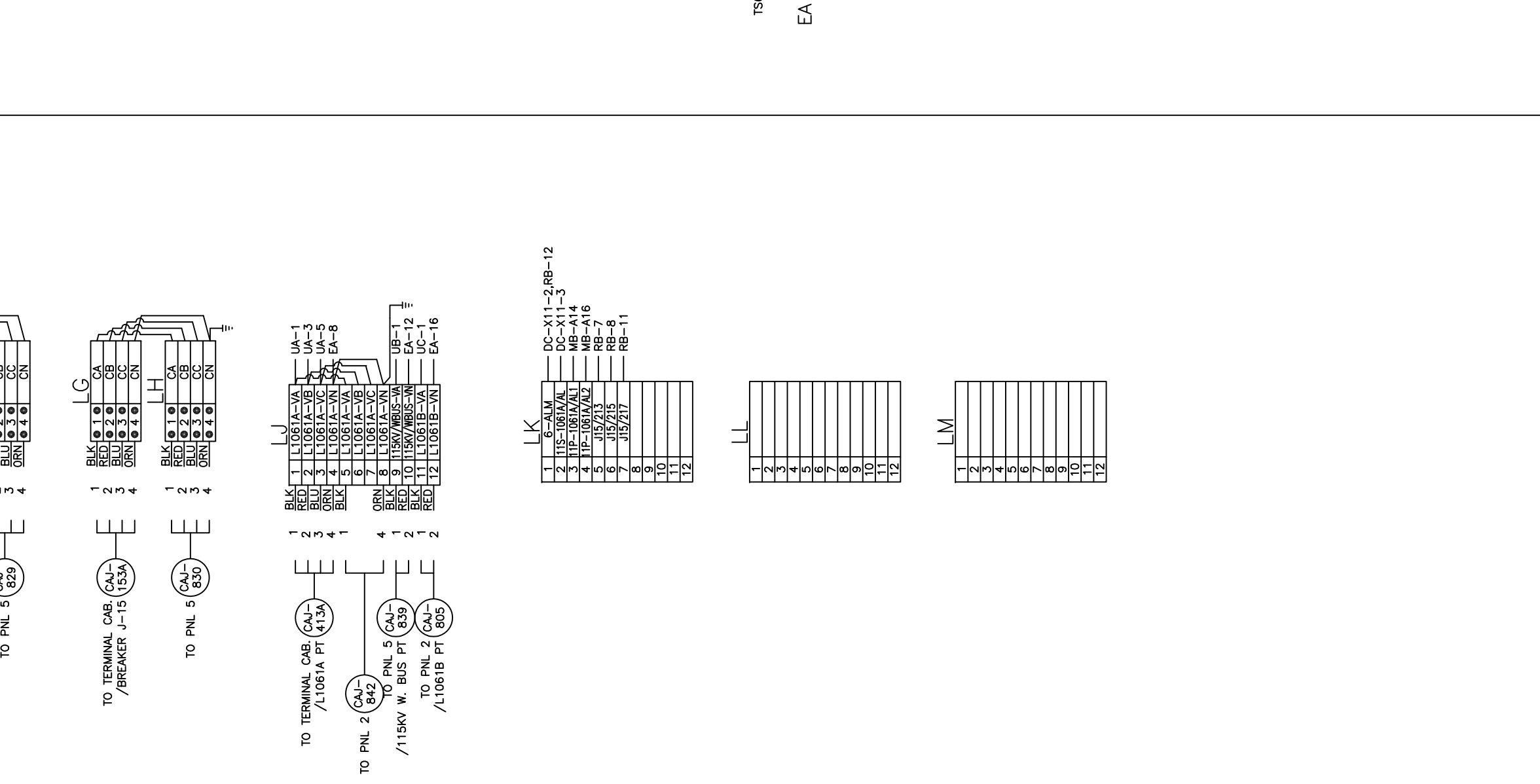
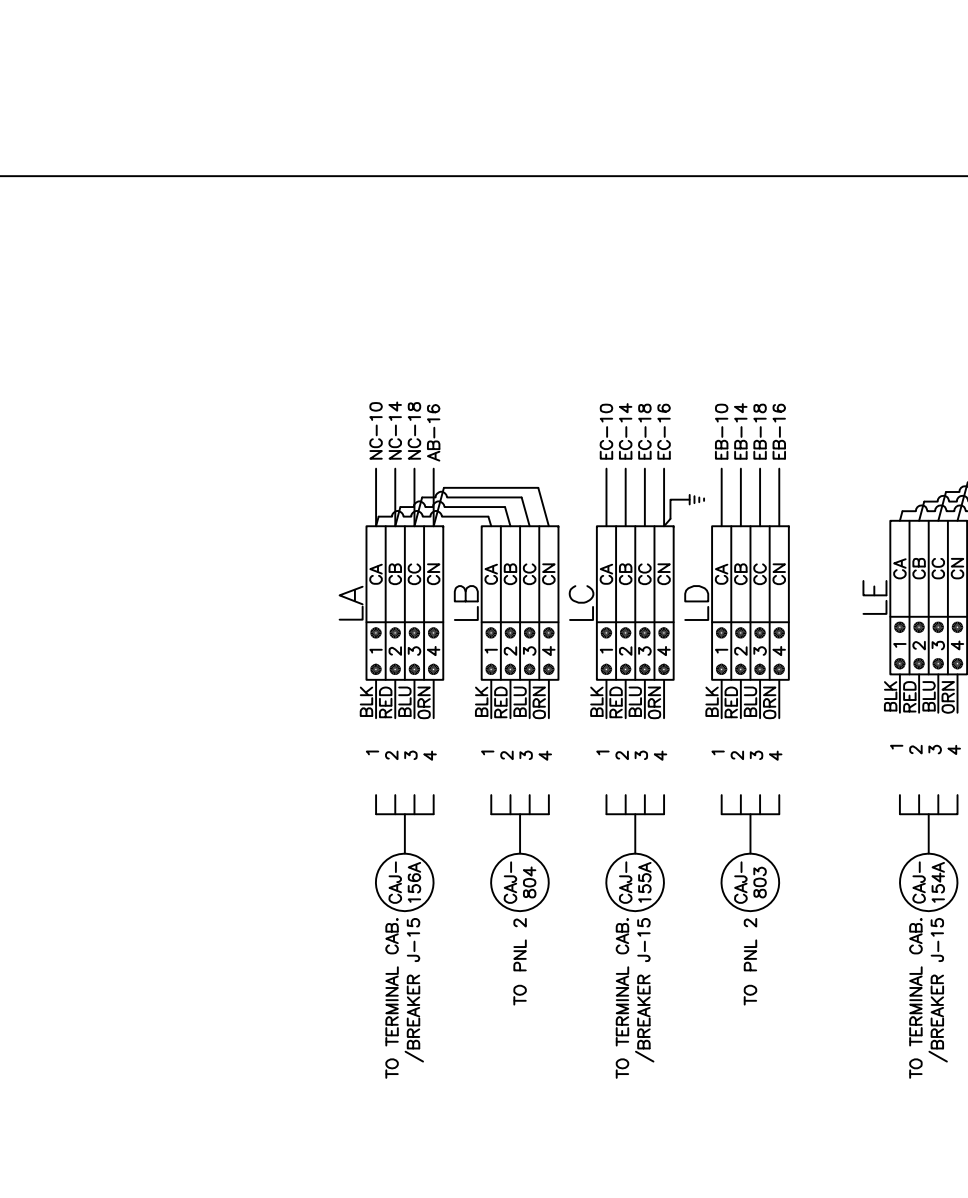
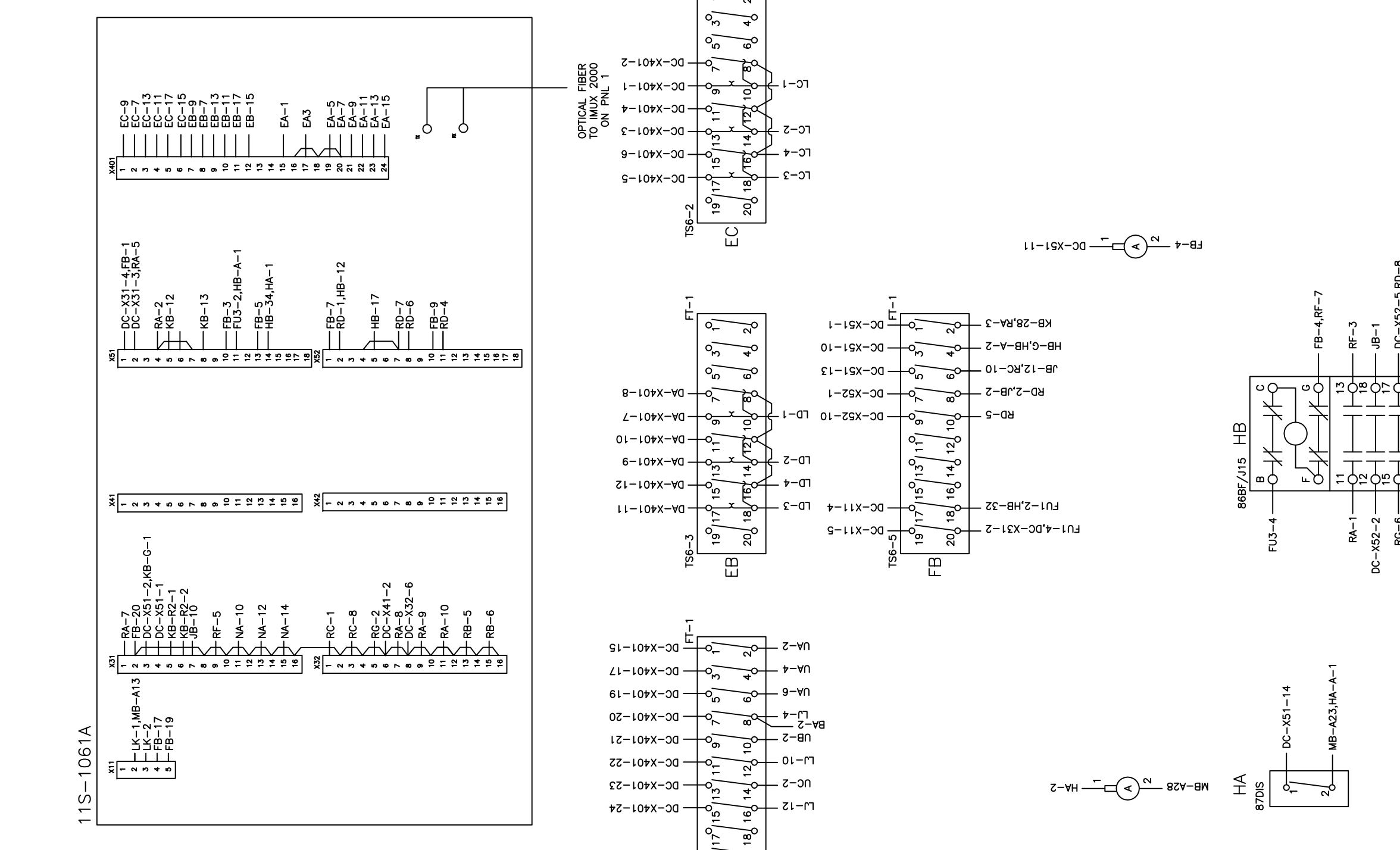
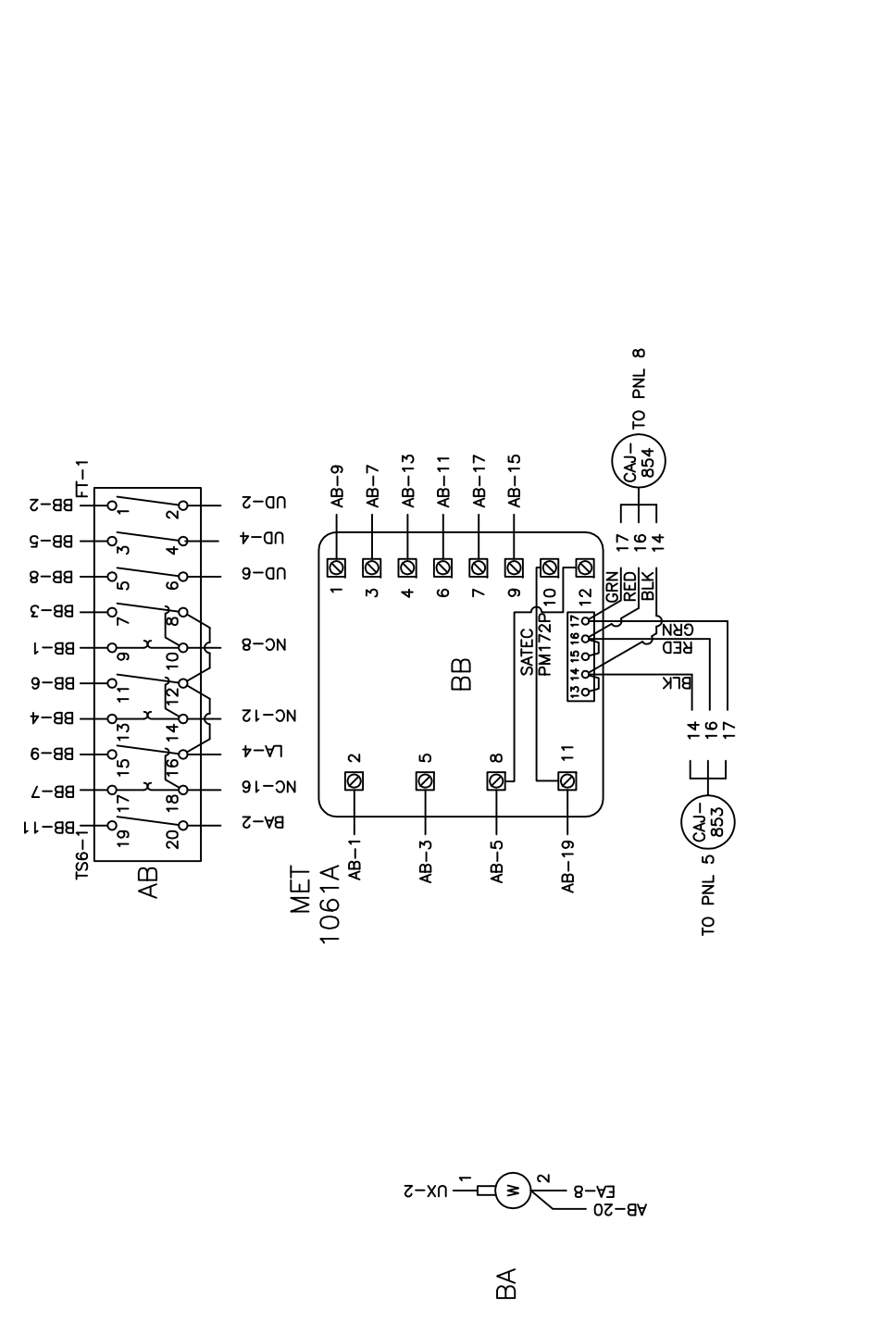


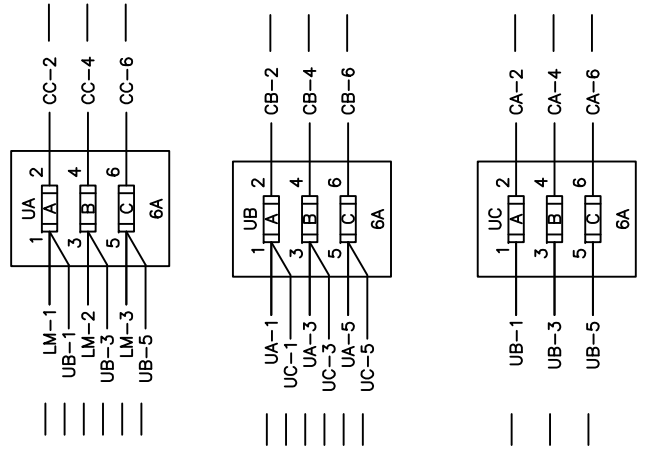
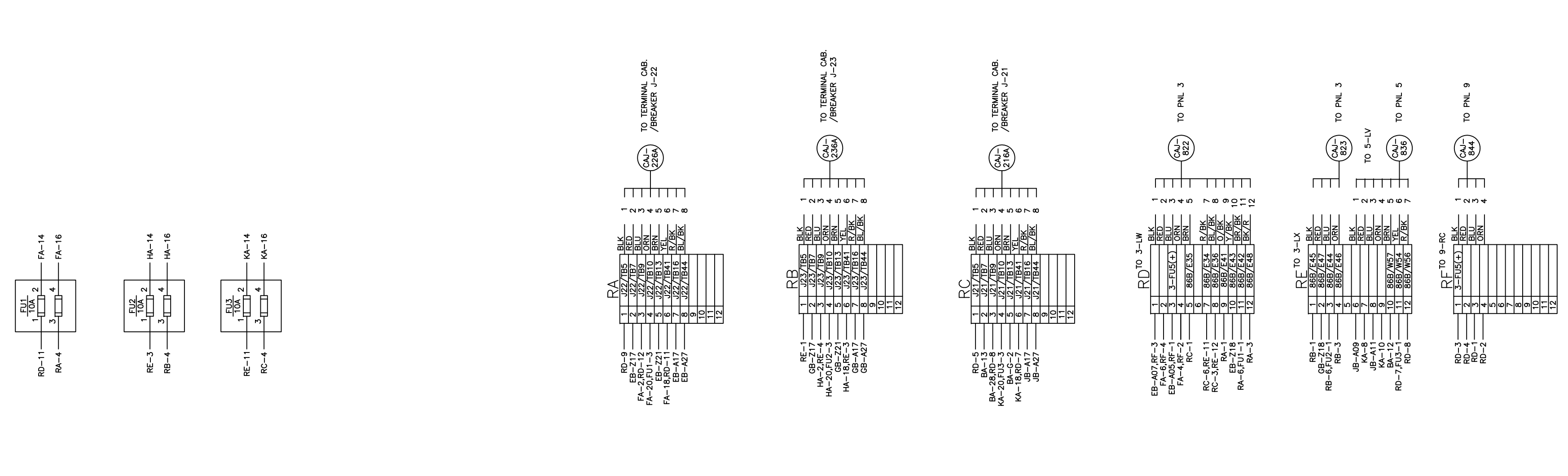
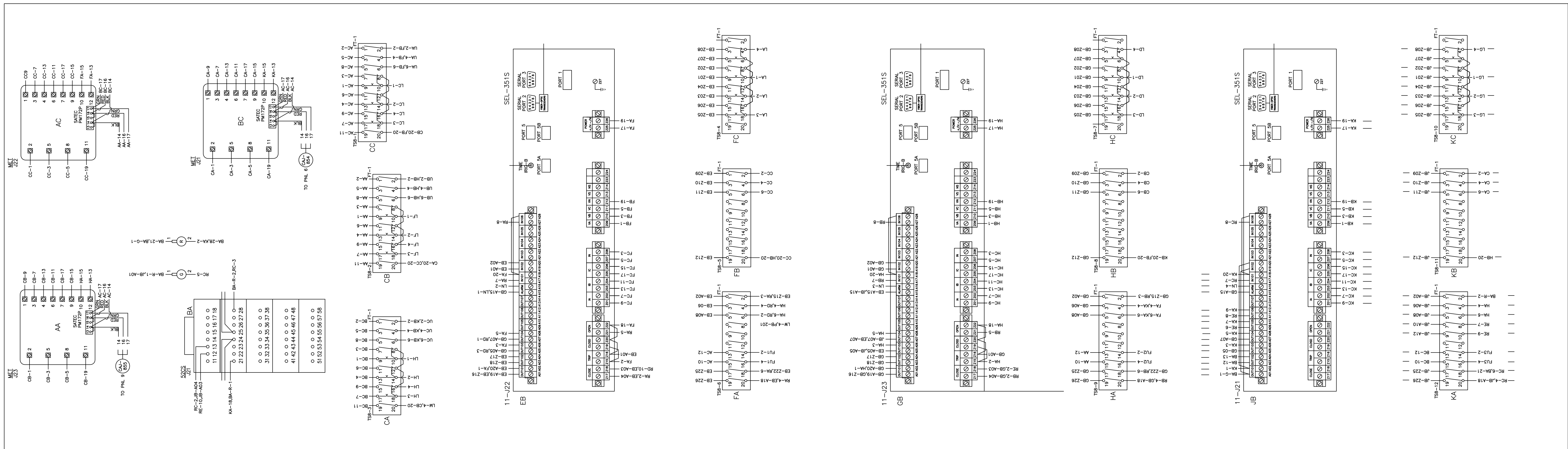
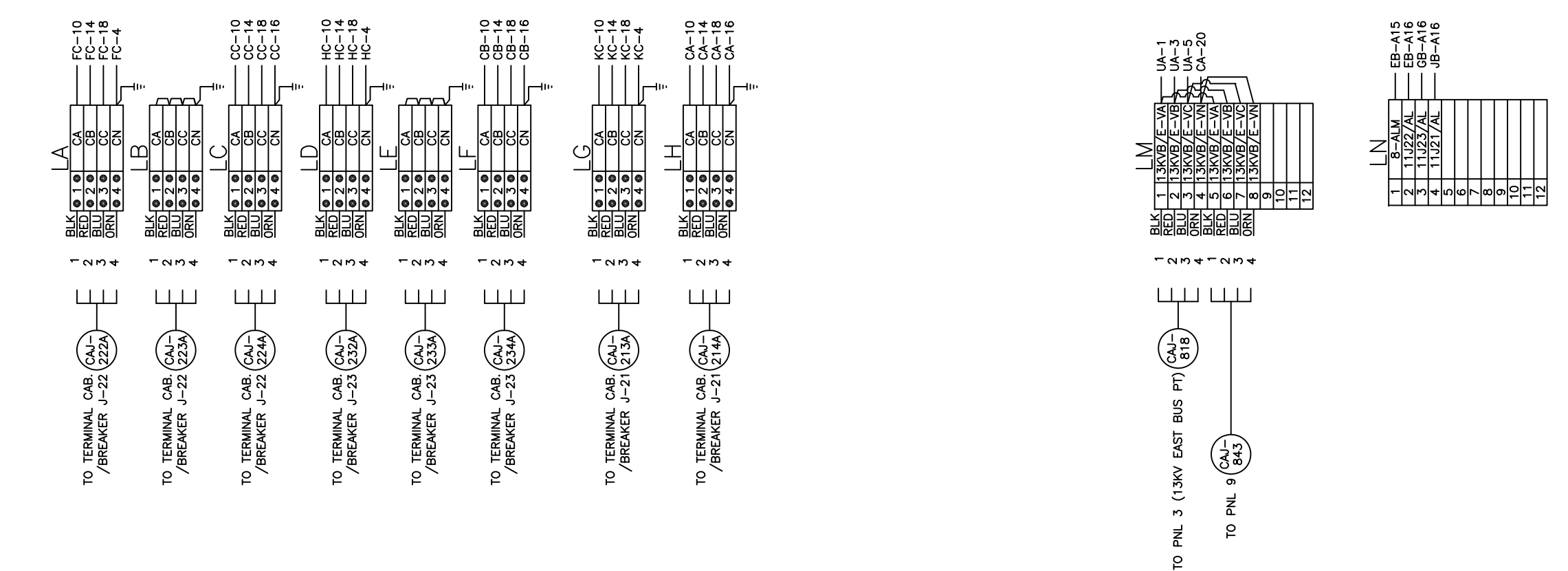


FOR BID ONLY  
2-21-2014

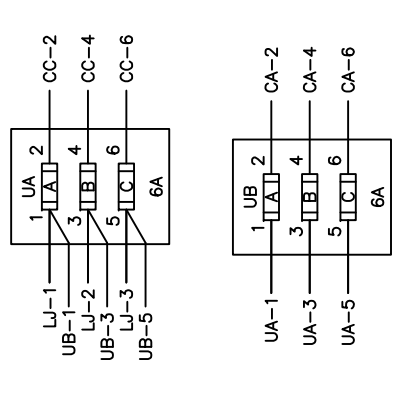
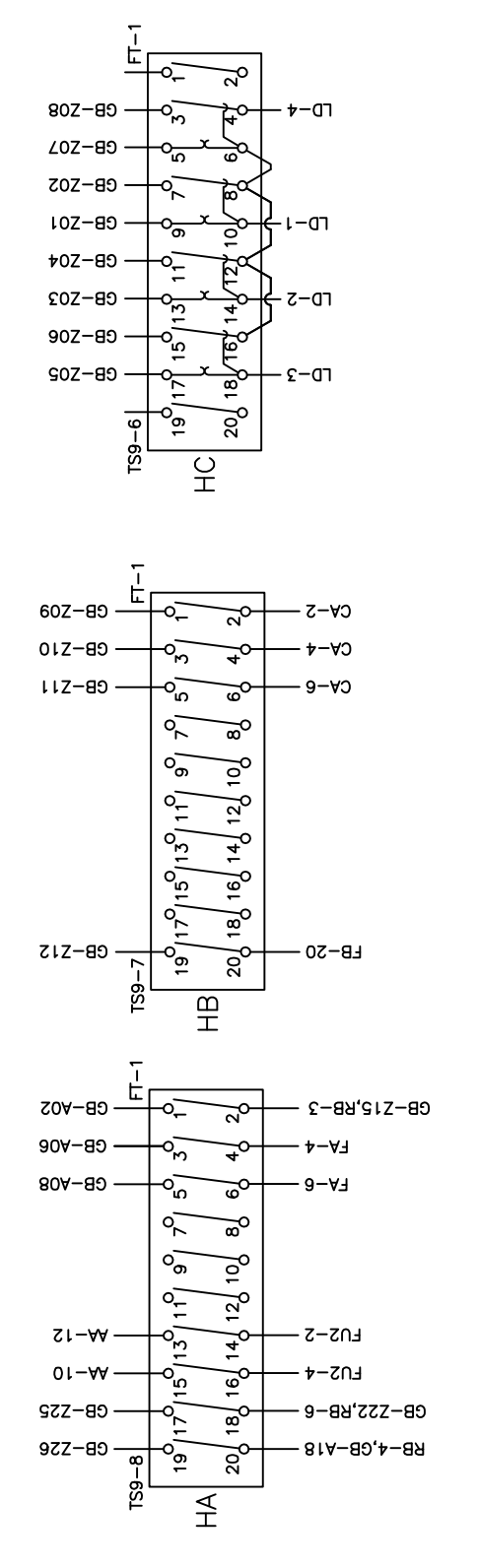
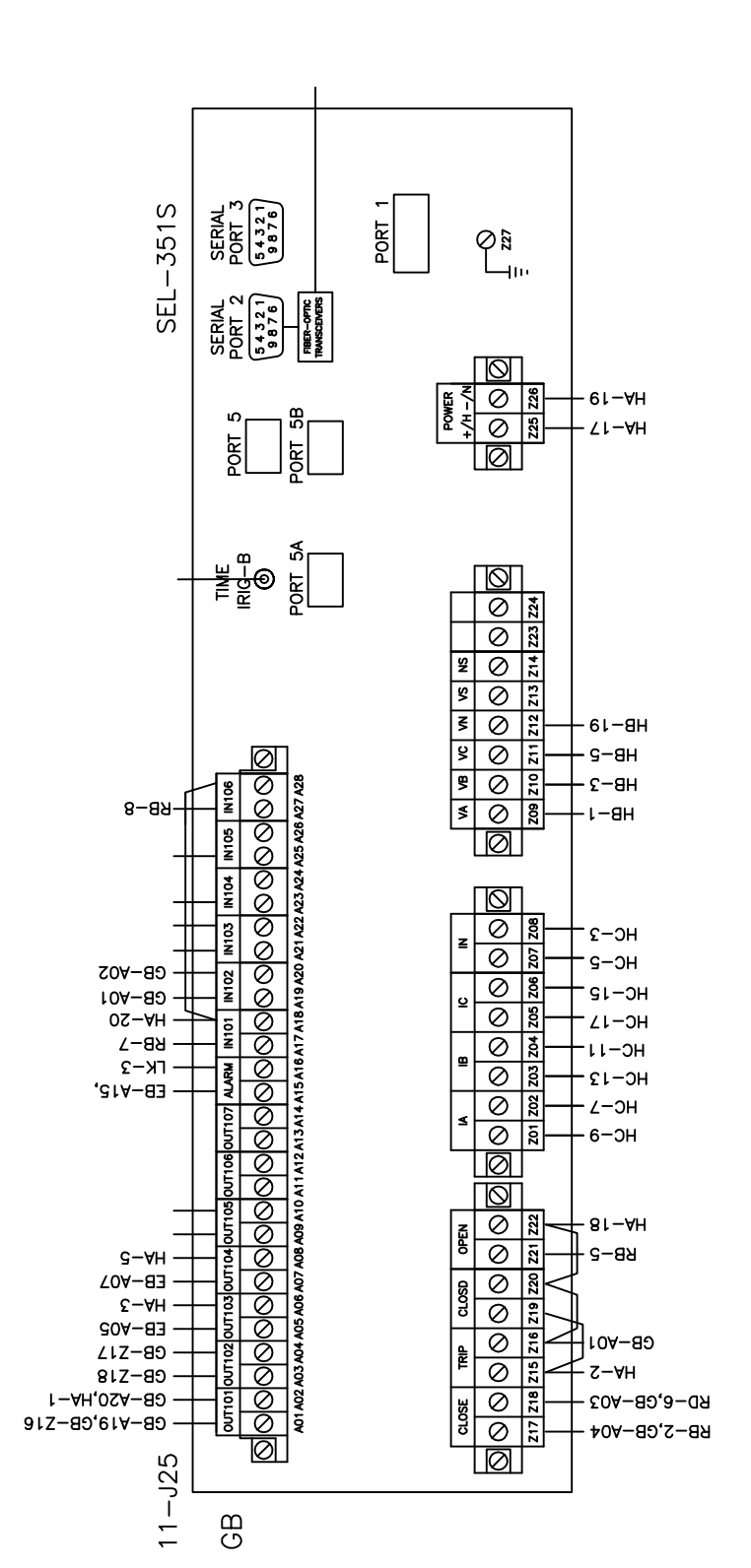
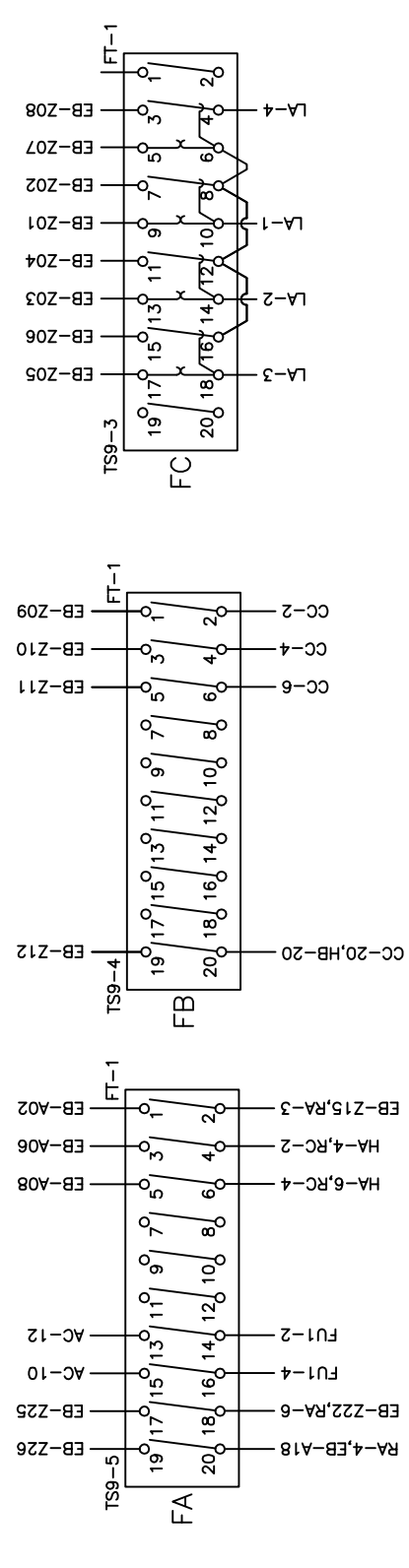
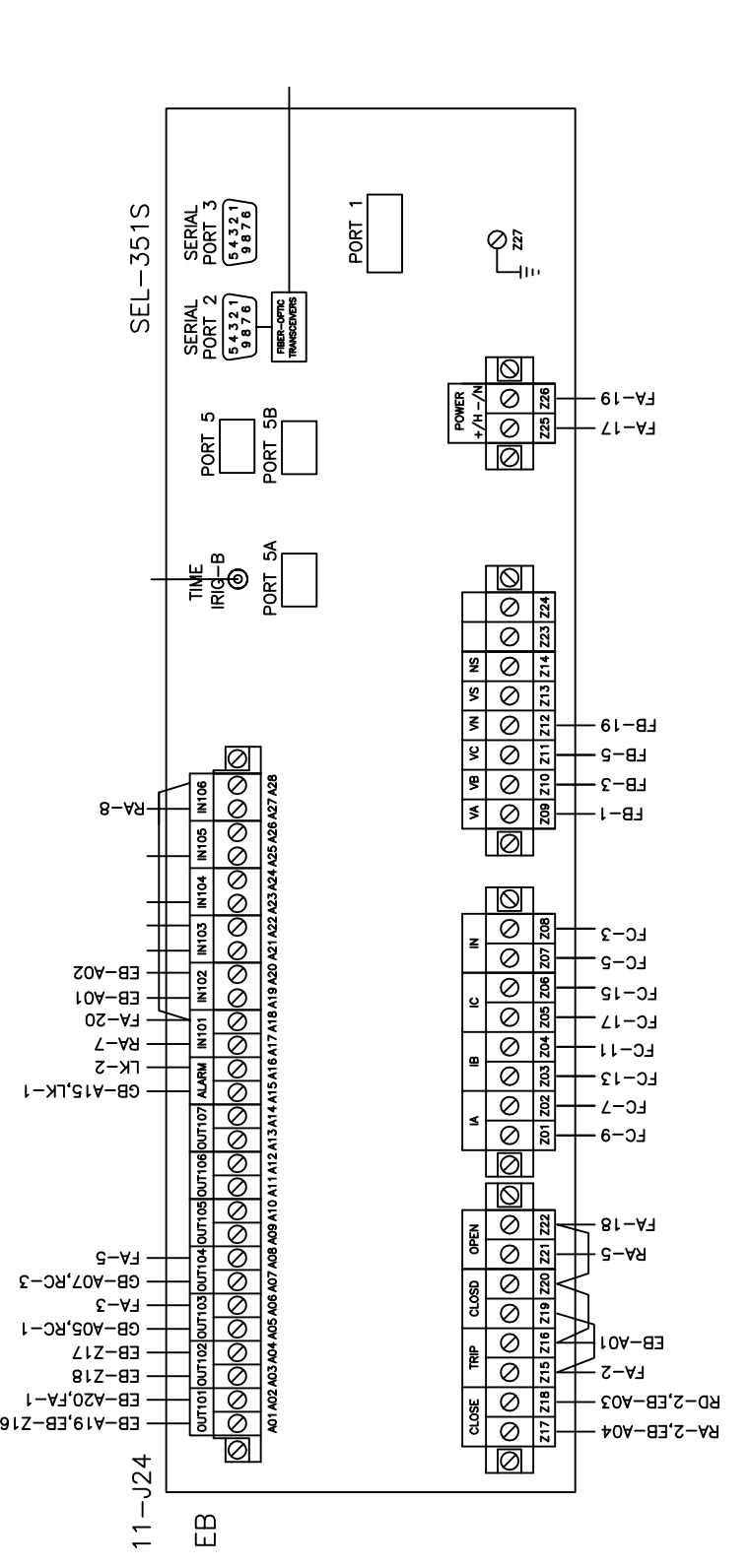
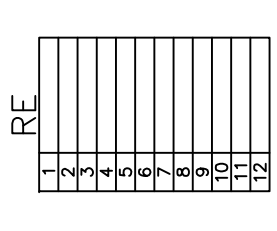
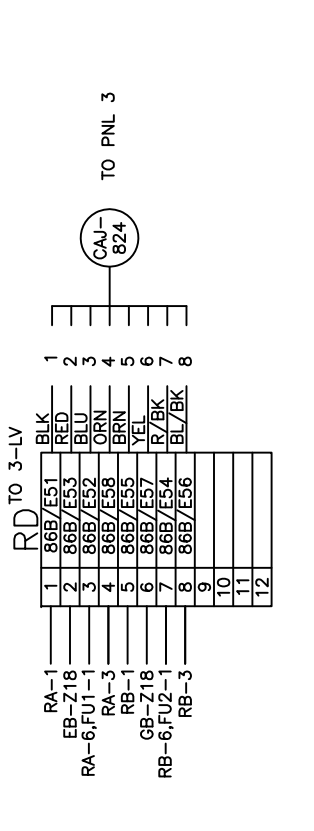
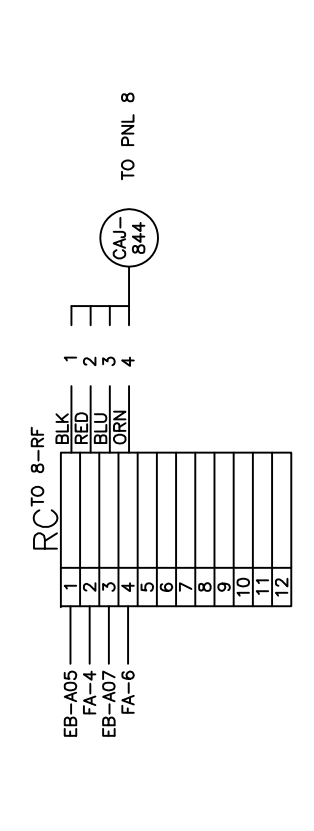
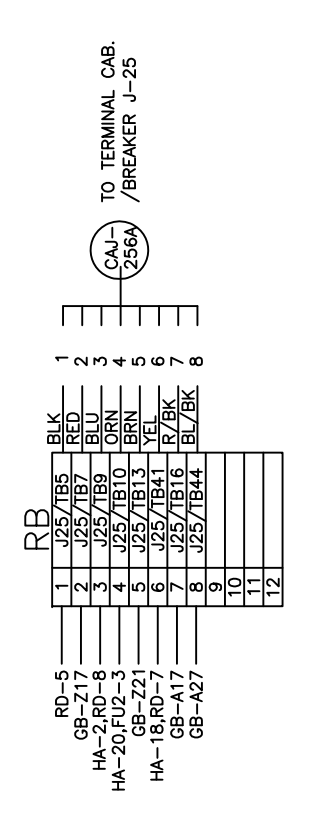
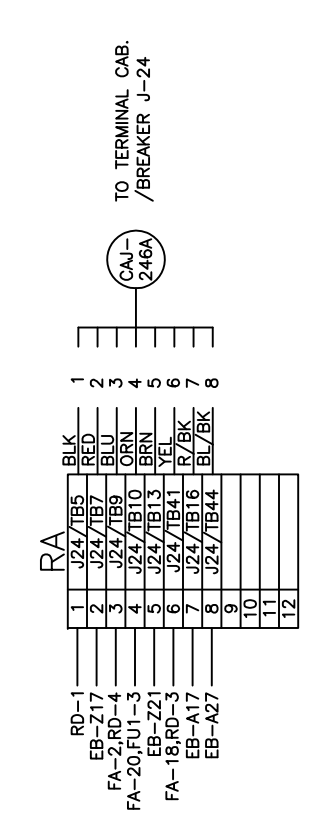
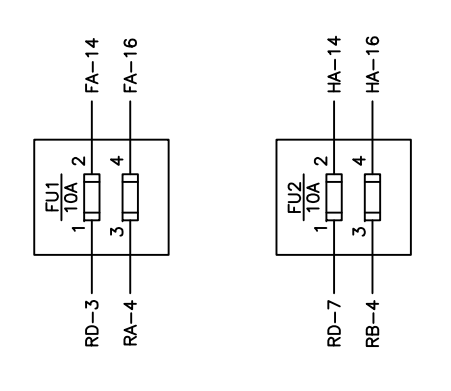
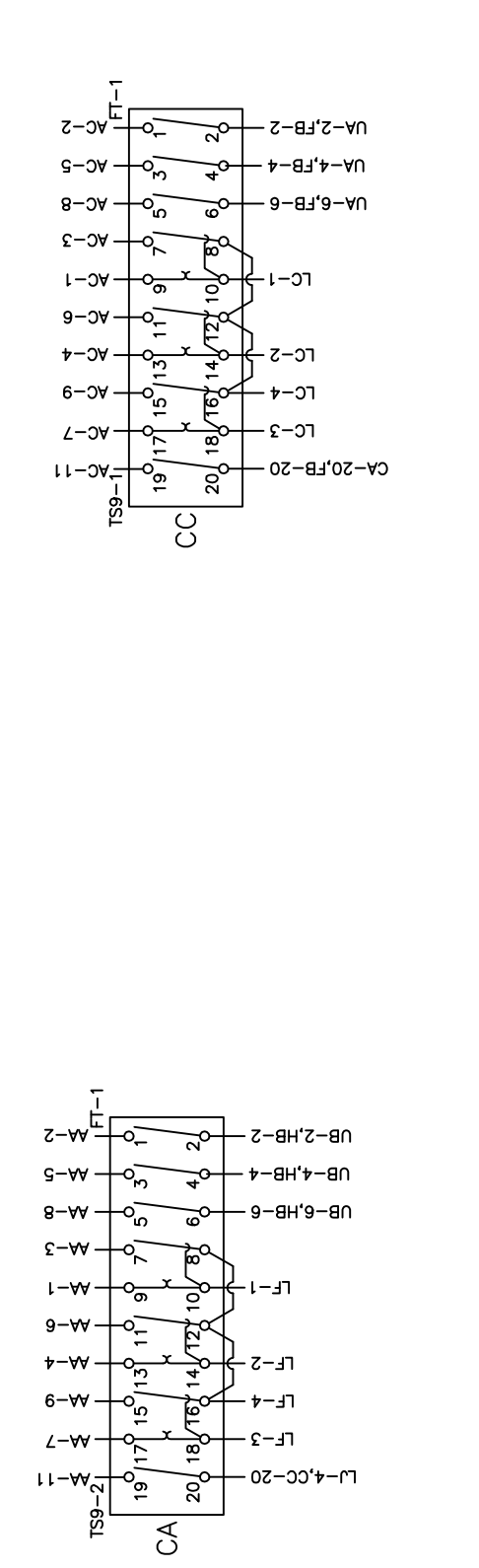
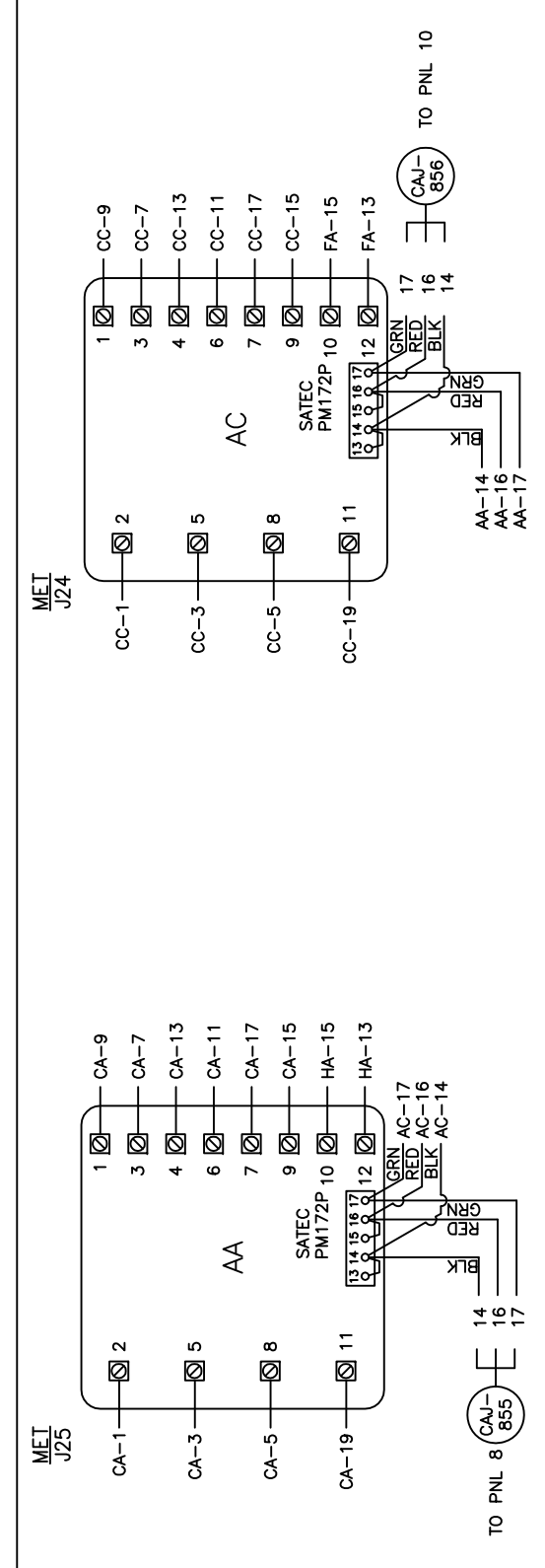
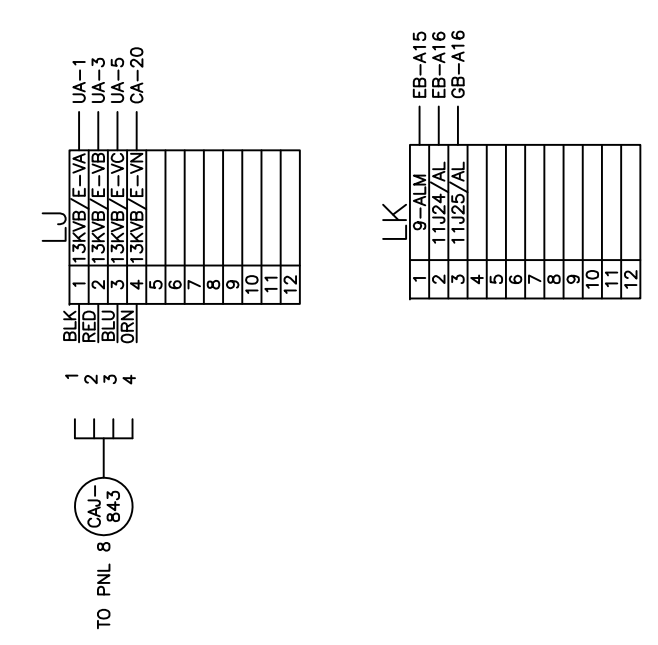
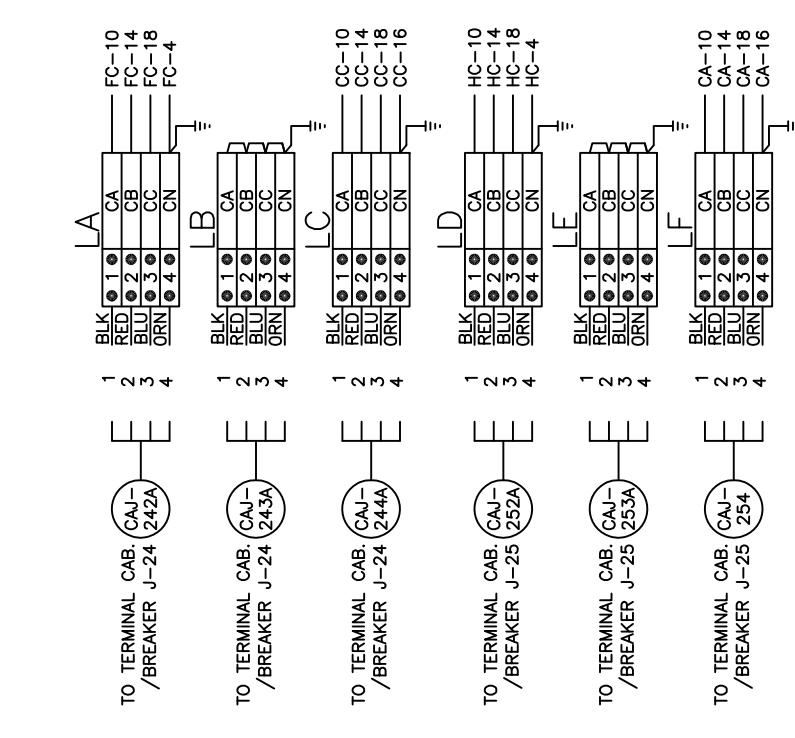


FOR BID ONLY  
2-21-2014

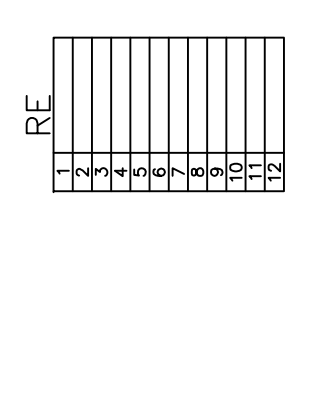
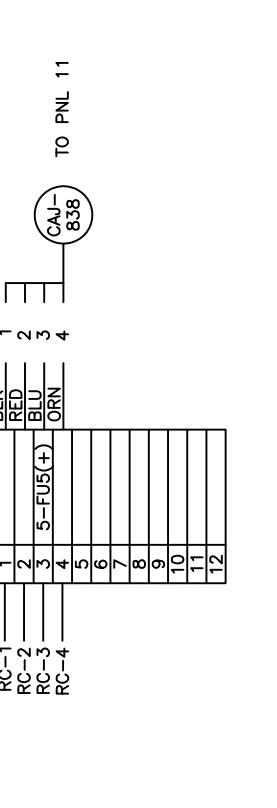
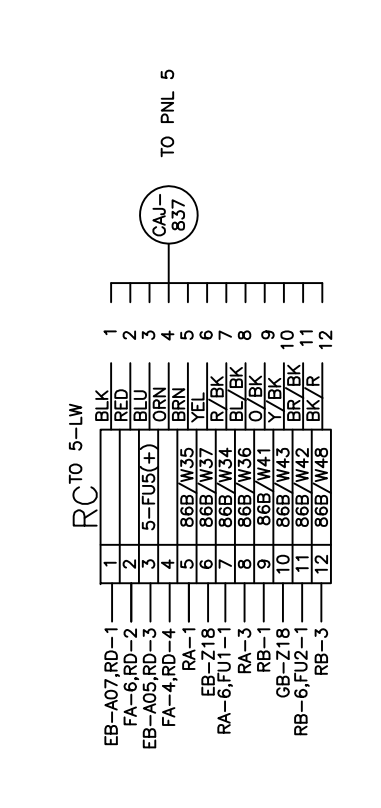
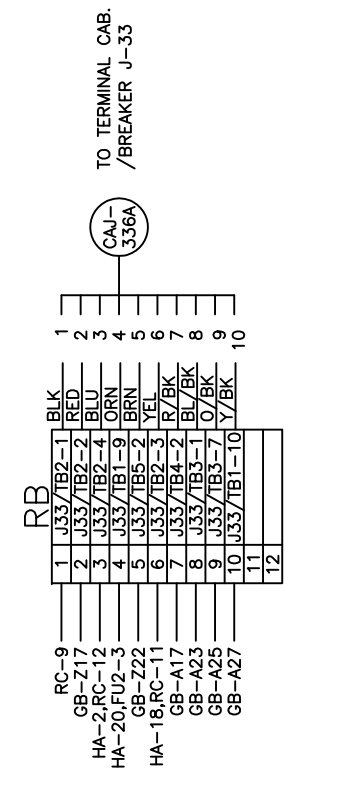
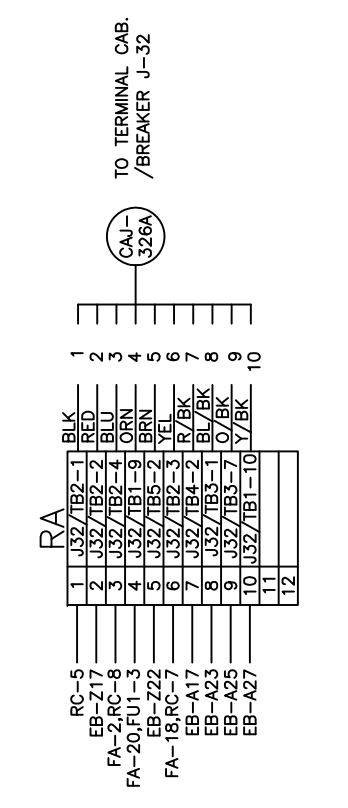
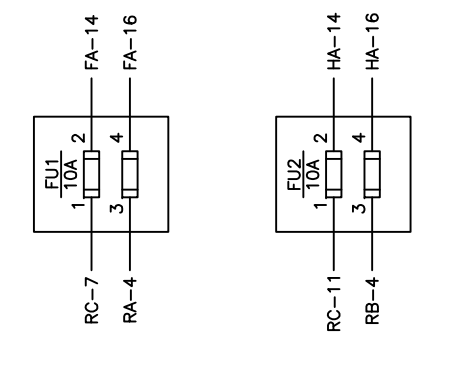
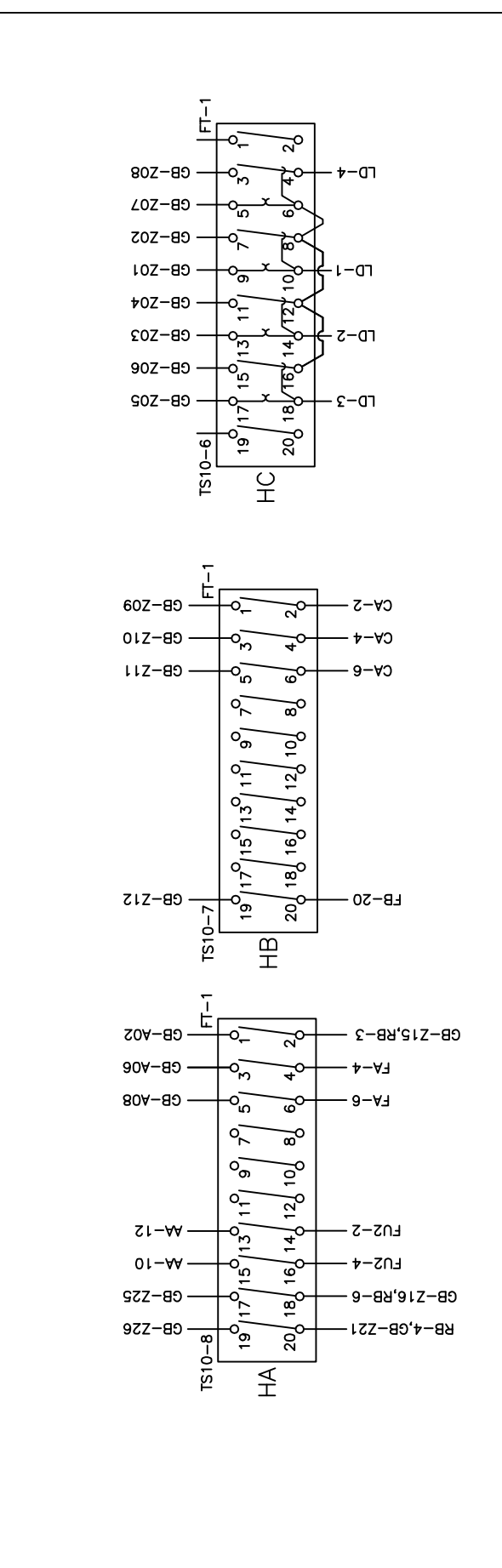
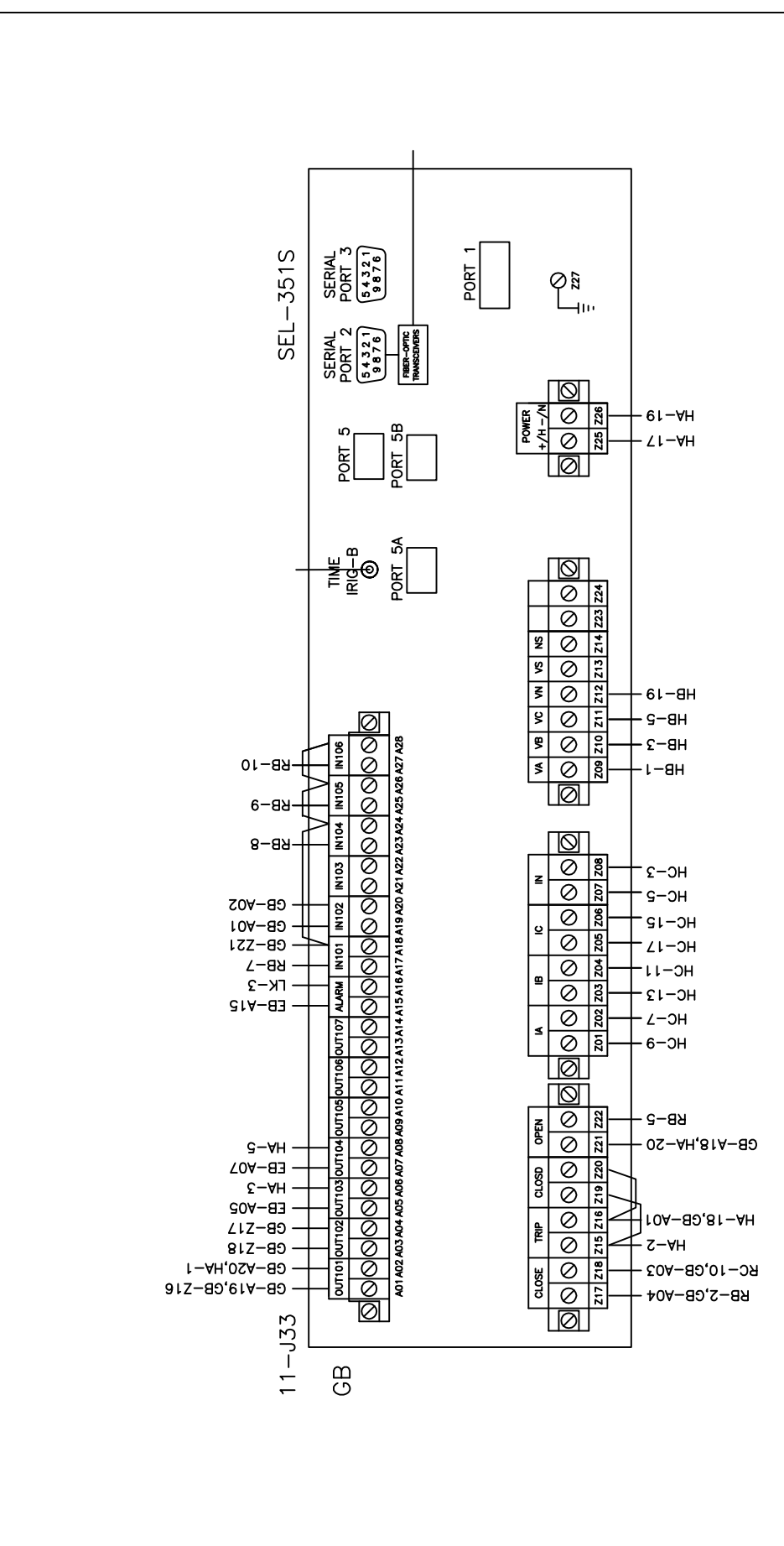
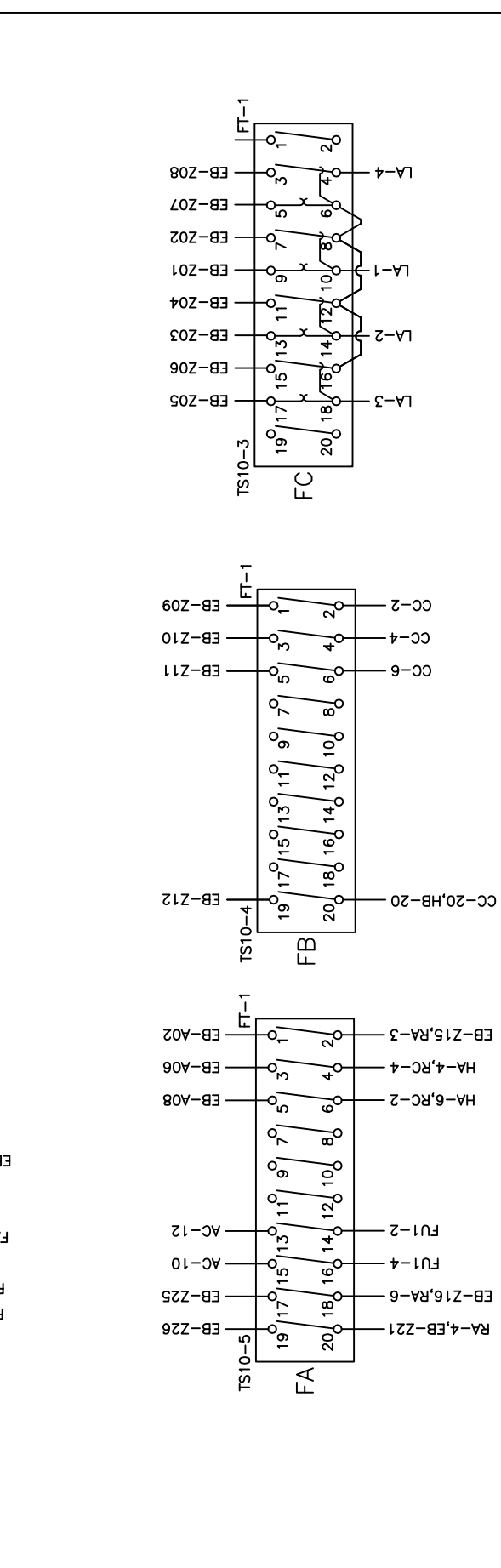
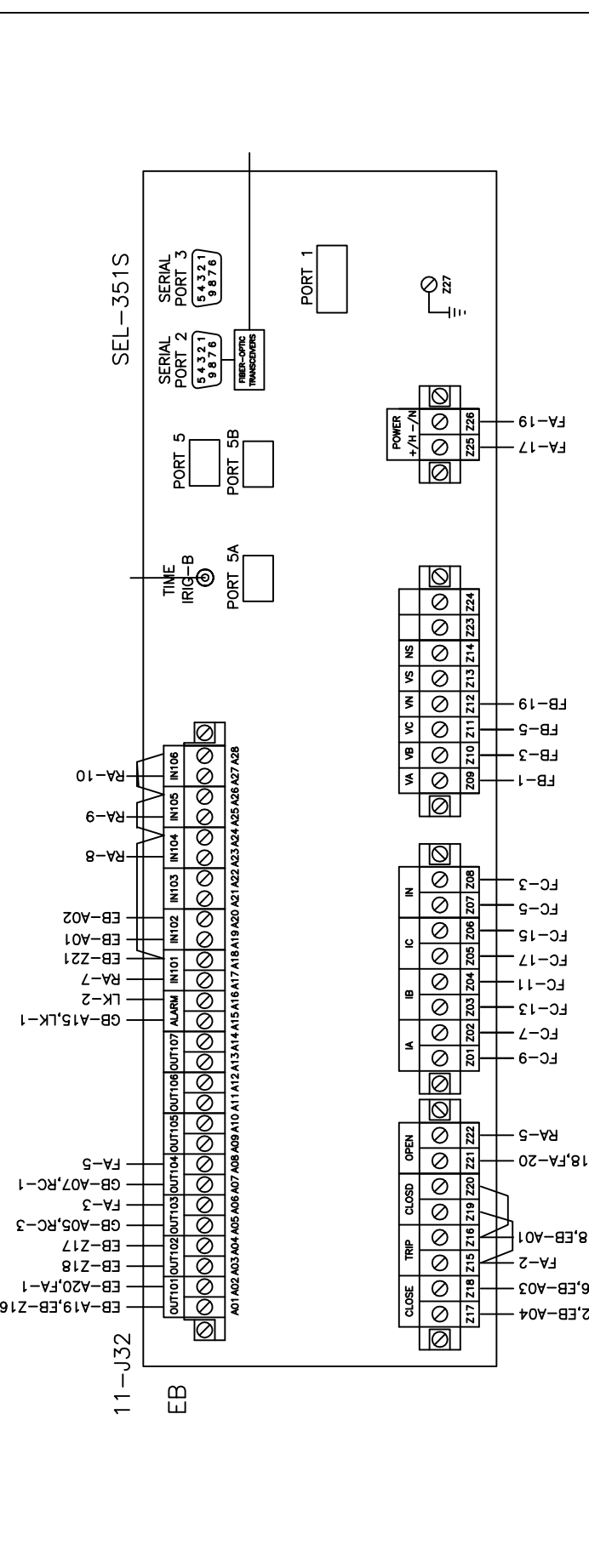
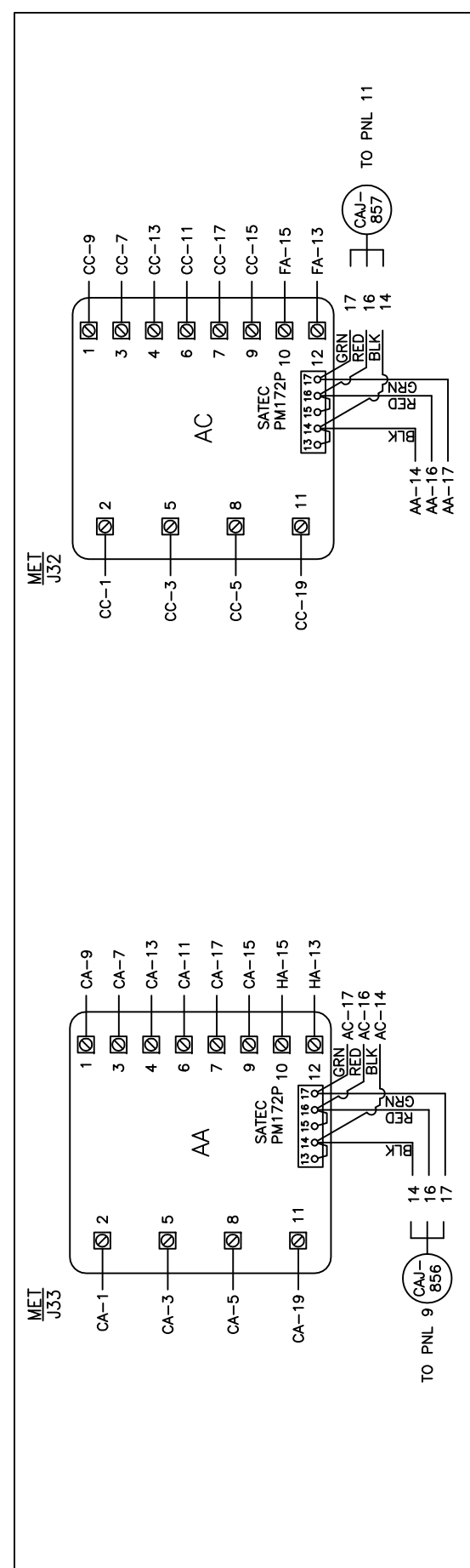
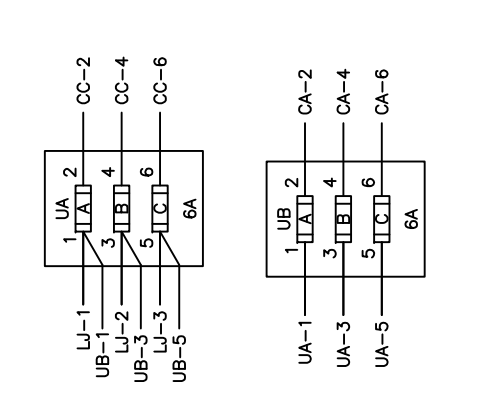
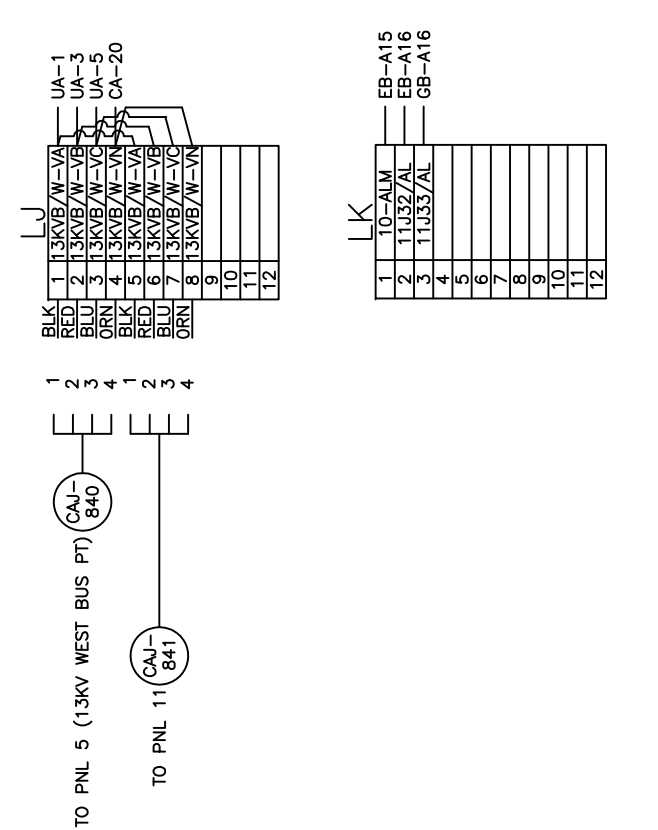
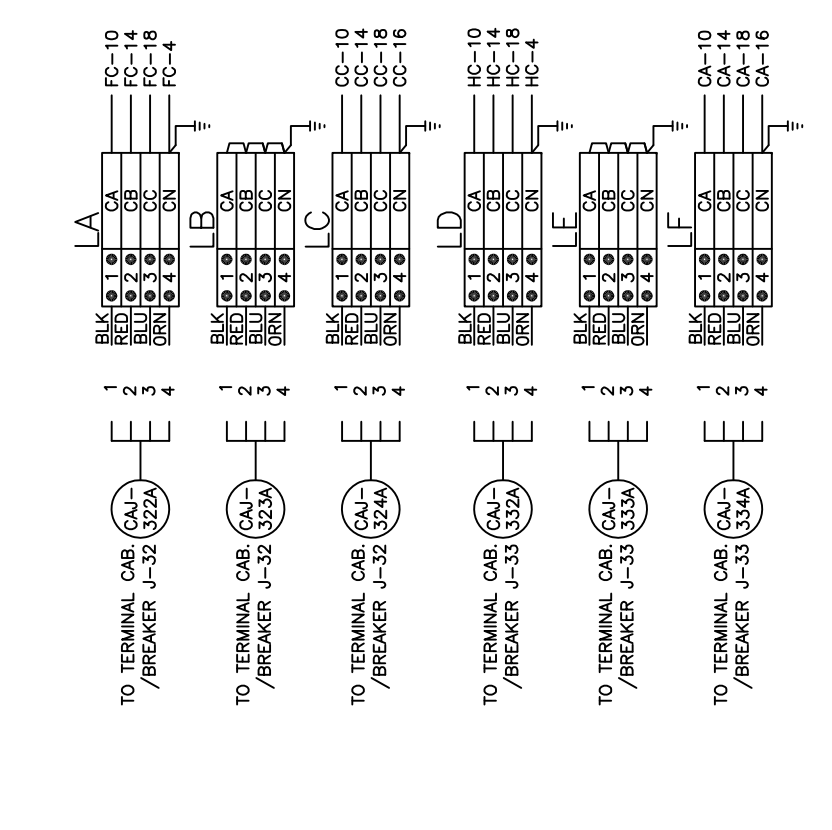




FOR BID ONLY  
2-21-2014

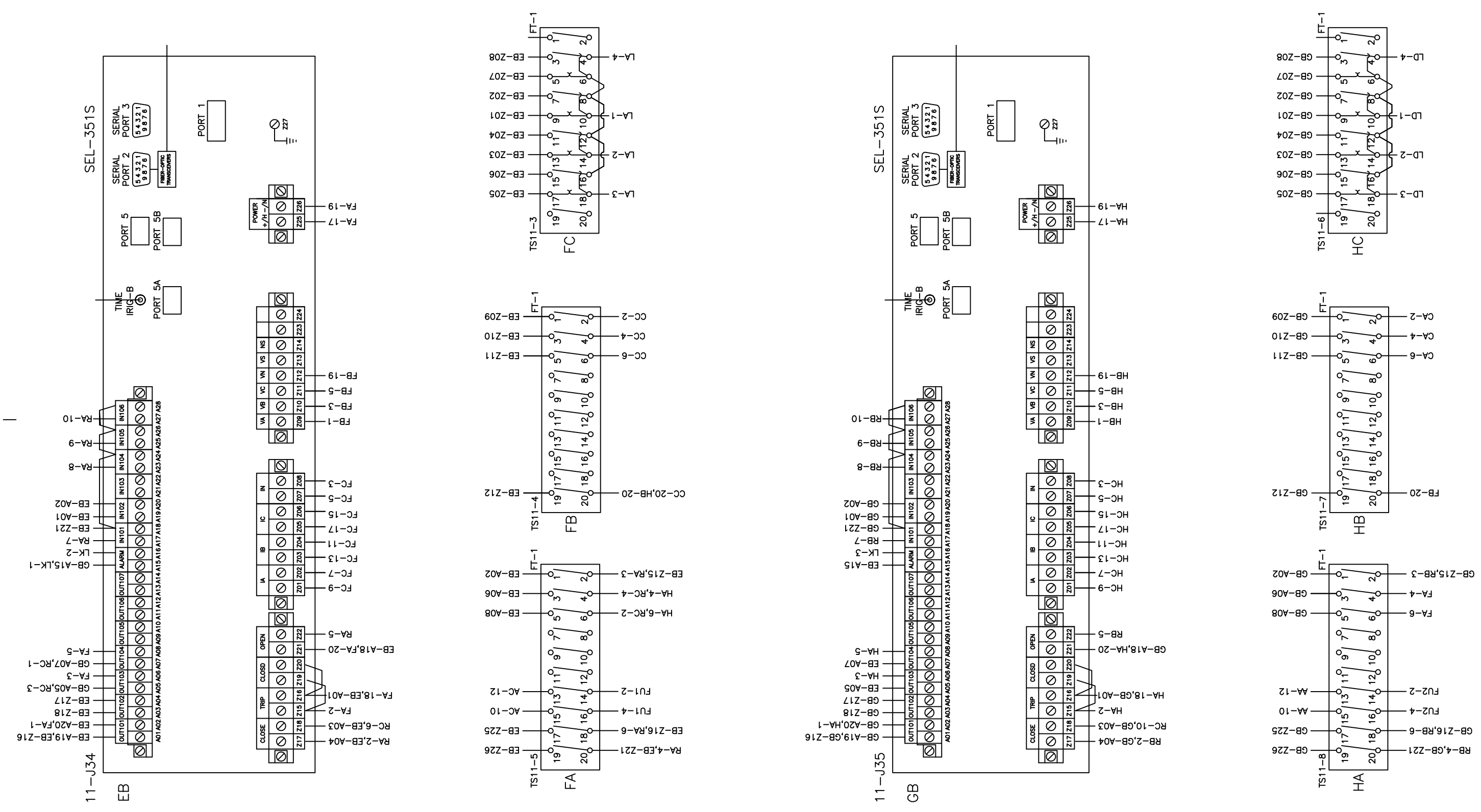
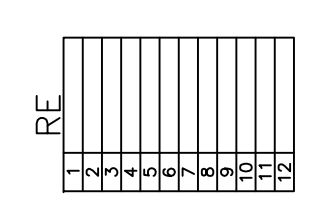
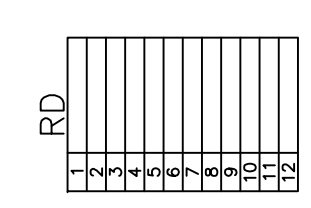
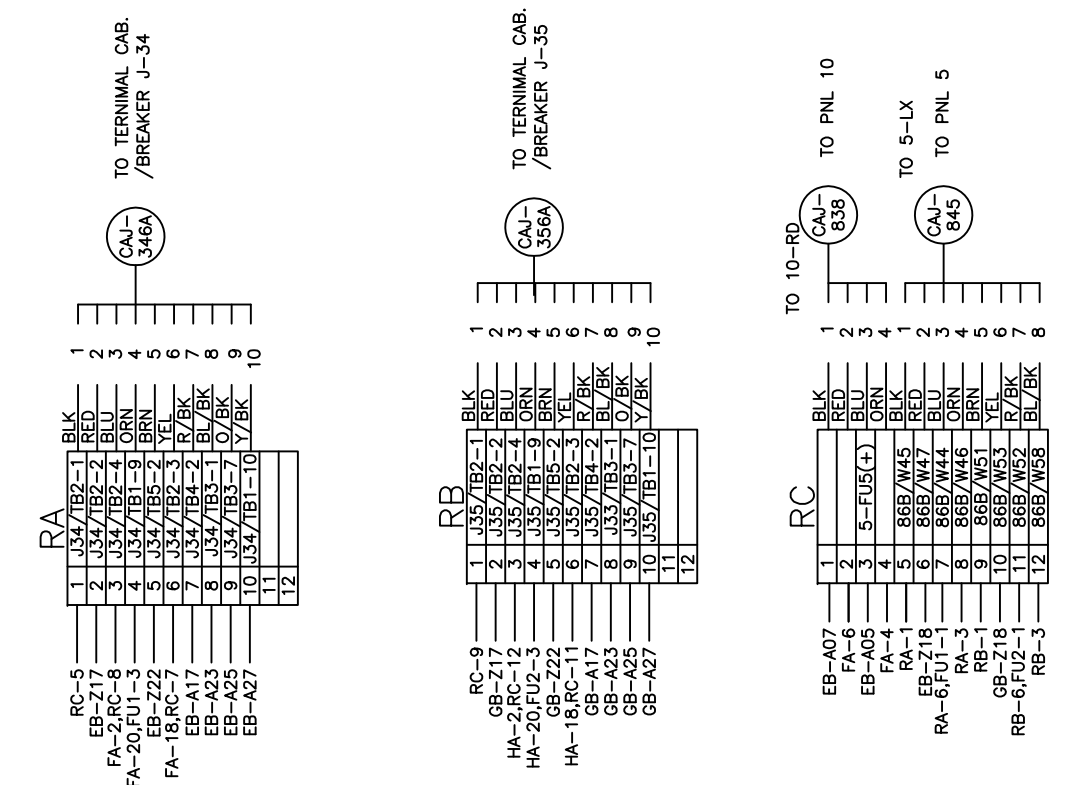
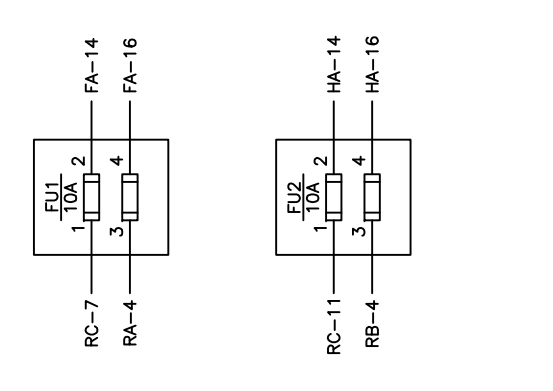
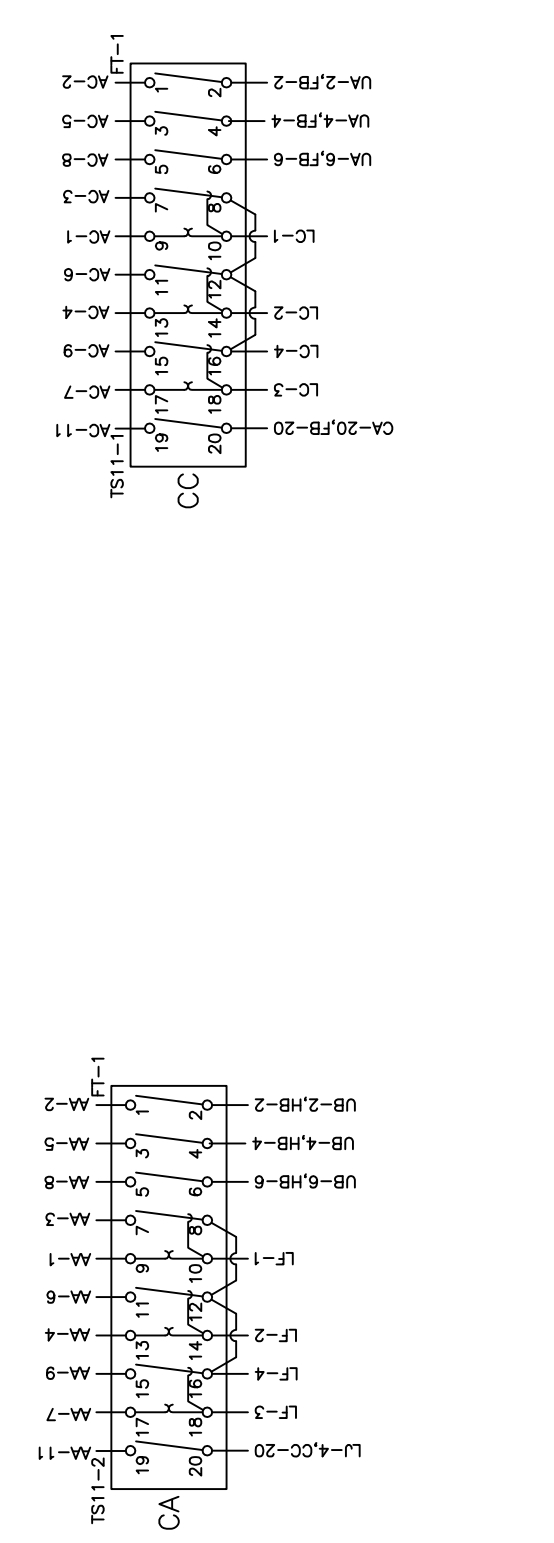
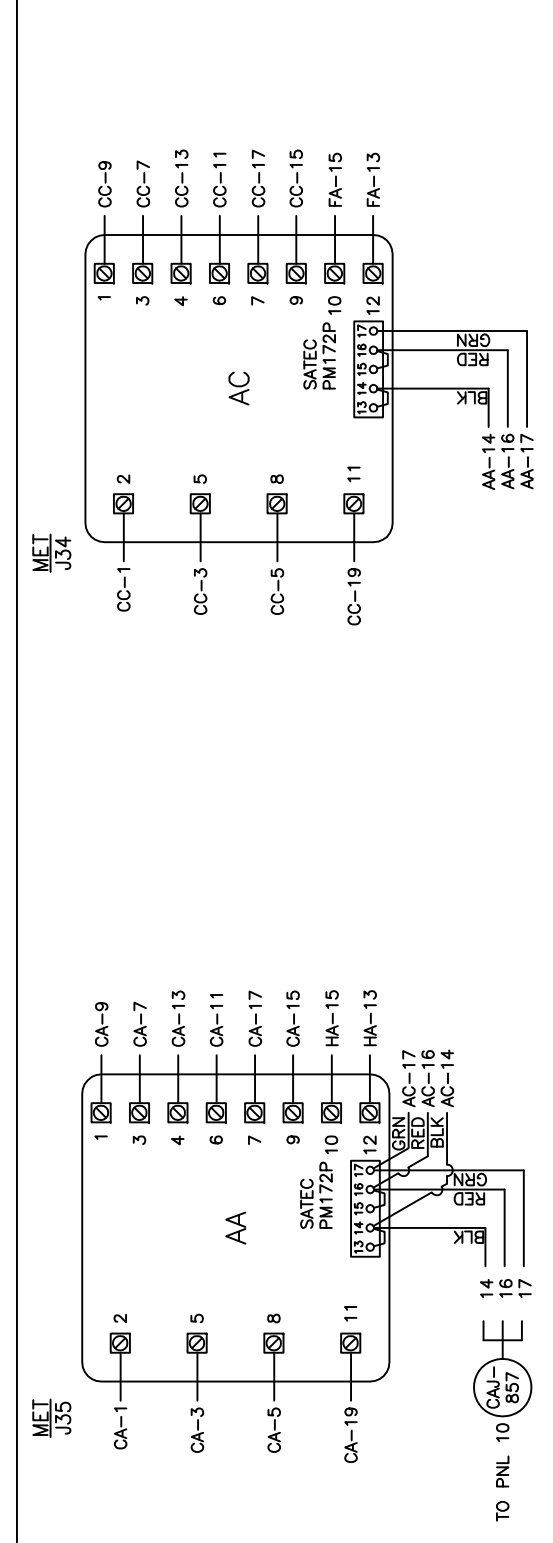
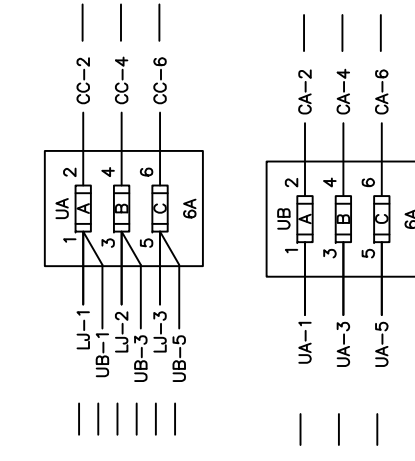
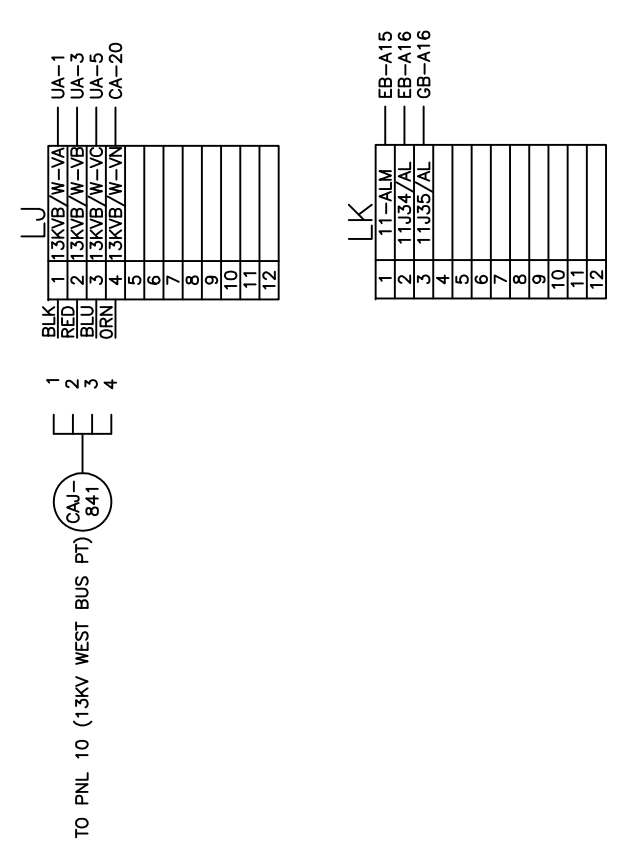
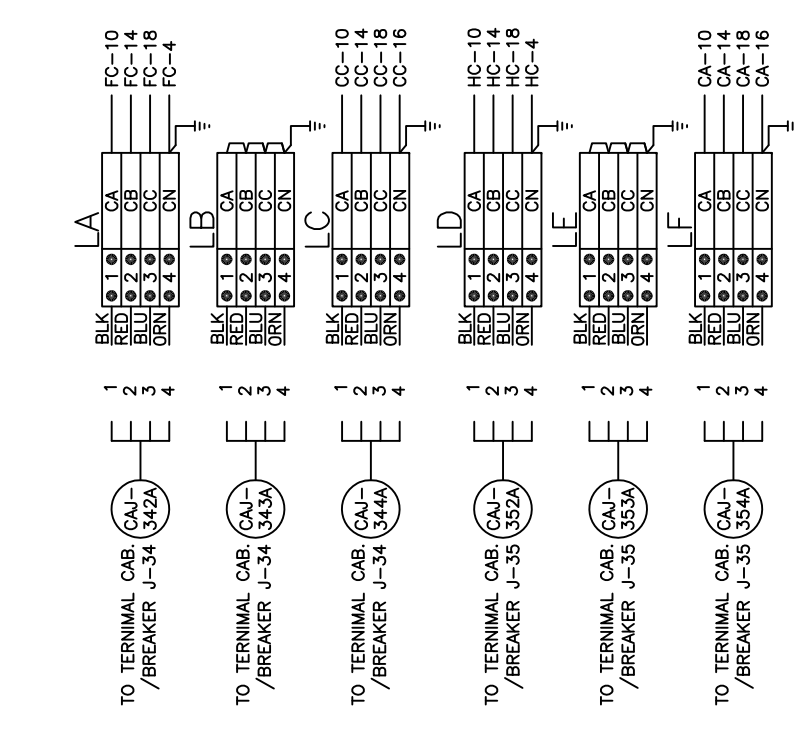


FOR BID ONLY  
2-21-2014



FOR BID ONLY  
2-21-2014

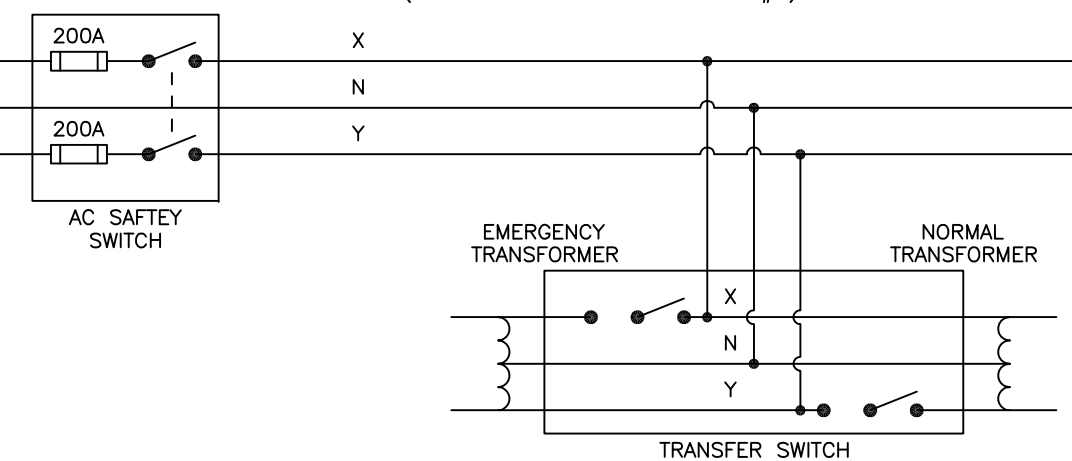
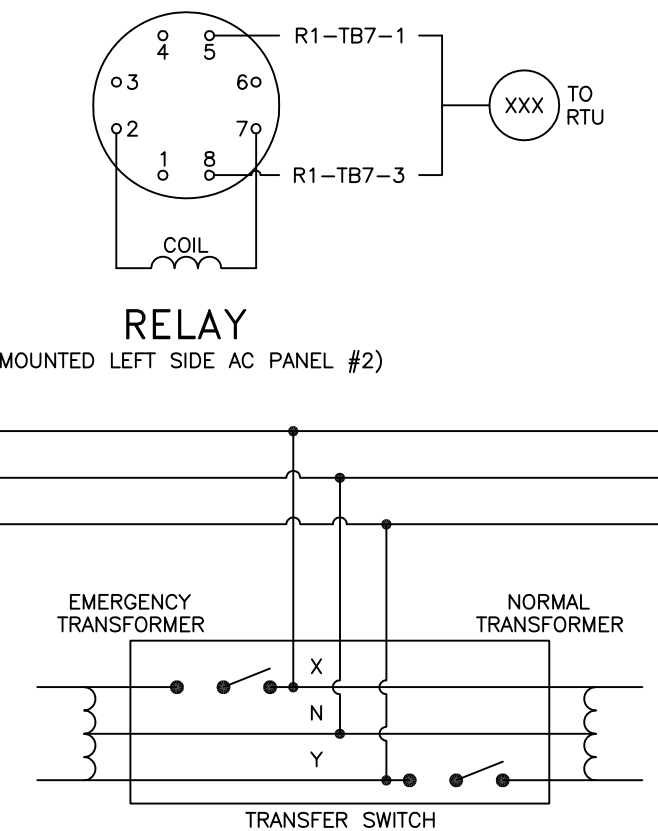
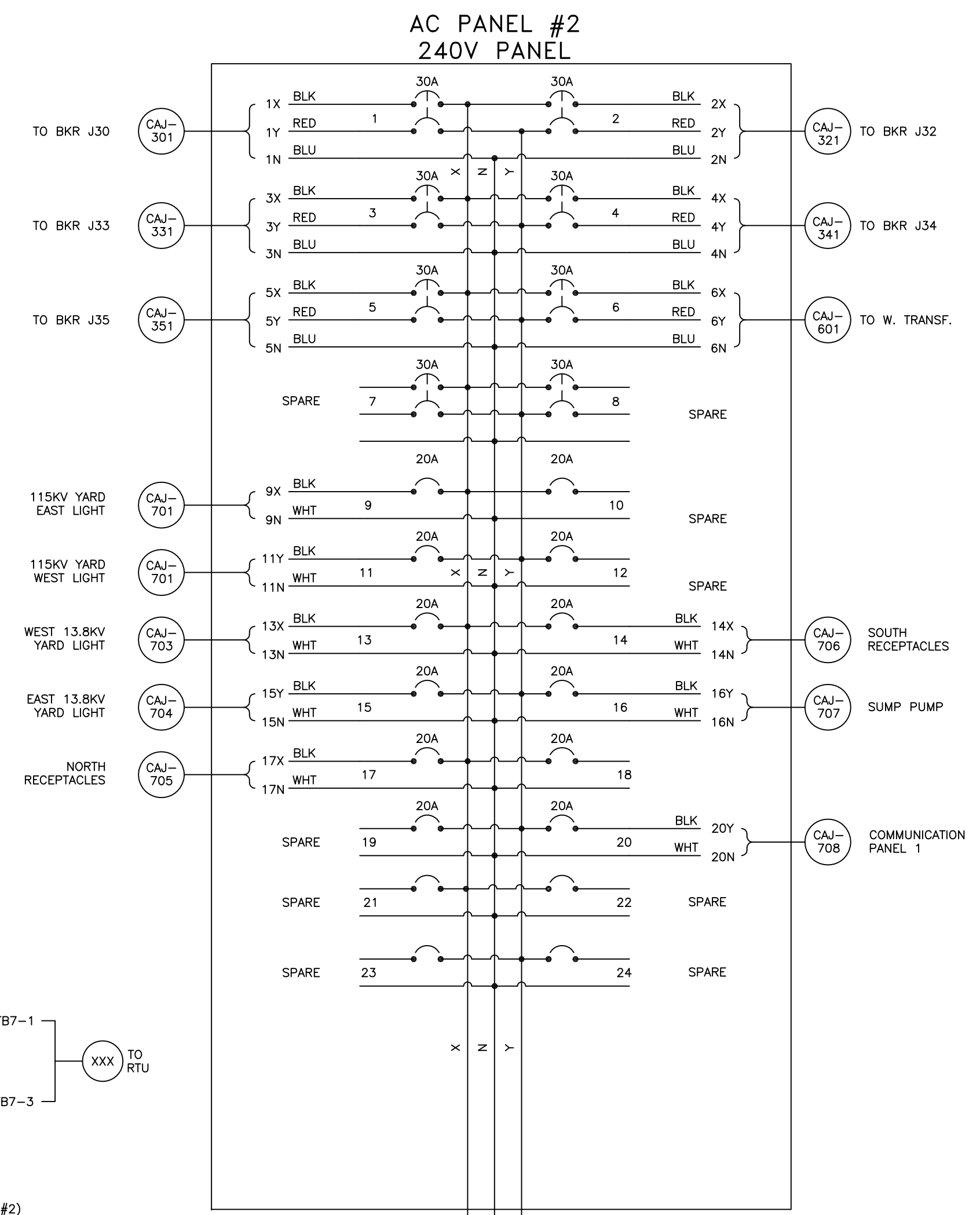
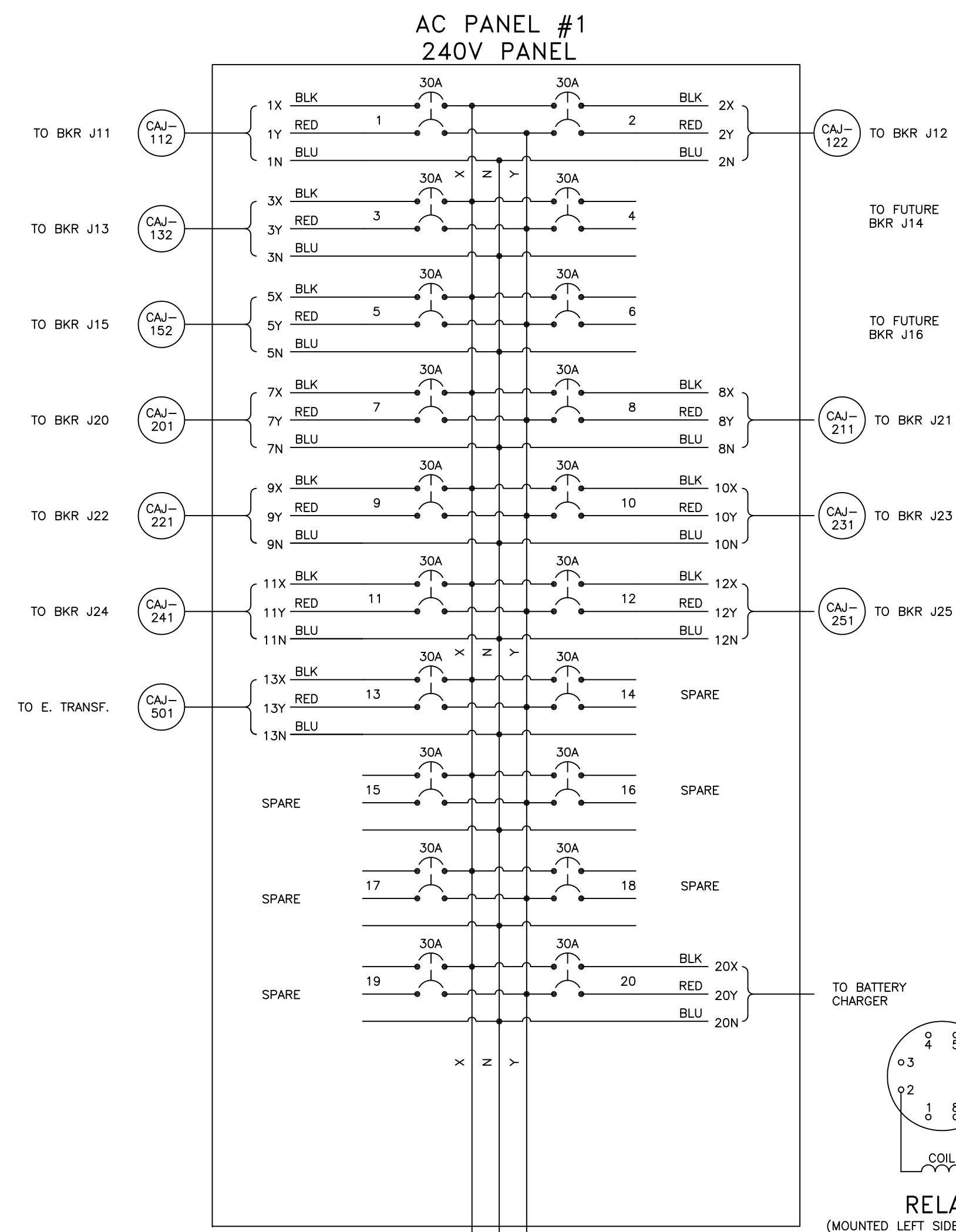
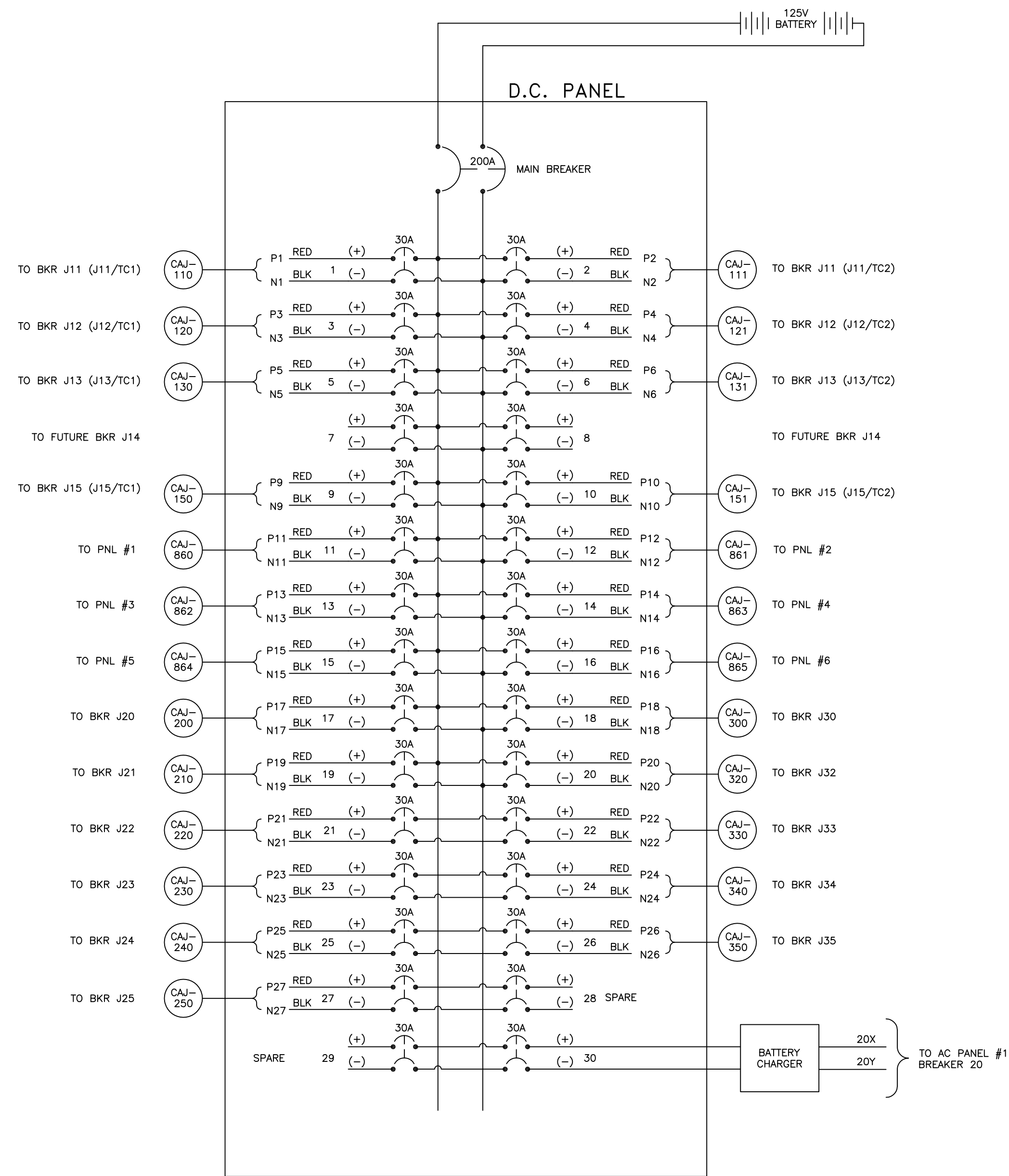




FOR BID ONLY  
2-21-2014







FOR BID ONLY  
2-21-2014

FOR BID ONLY  
2-21-2014

